



Thomas Parts Manual



175



185

THOMAS EQUIPMENT LIABILITY WARRANTY

THE WARRANTY IS THE ONLY OBLIGATION OF THOMAS OR A THOMAS DEALER TO THE PURCHASER OR ANYONE ELSE CONCERNING A PRODUCT, ITS SERVICE, ITS USE OR PERFORMANCE OR ITS LOSS OF USE OR FAILURE TO PERFORM. NEITHER THOMAS NOR A THOMAS DEALER HAVE MADE AND NEITHER WILL MAKE ANY OTHER EXPRESSED OR IMPLIED REPRESENTATION, WARRANTY OR AGREEMENT CONCERNING A PRODUCT. NEITHER THOMAS NOR A THOMAS DEALER HAVE MADE OR WILL MAKE ANY REPRESENTATION, WARRANTY OR AGREEMENT CONCERNING A PRODUCTS MERCHANTABILITY OR OTHER QUALITY, ITS SUITABILITY FOR PURCHASER'S PURPOSE (EVEN IF A PURCHASER HAS INFORMED THOMAS OR A THOMAS DEALER OF THAT PURPOSE), ITS DURABILITY, PERFORMANCE OR OTHER CONDITION.

EVEN IF THOMAS OR A THOMAS DEALER WAS ADVISED OF THE POSSIBILITY OF SUCH LOSS, NEITHER THOMAS NOR A THOMAS DEALER WILL BE LIABLE TO PURCHASER OR ANYONE ELSE FOR ANY INDIRECT, INCIDENTAL CONSEQUENTIAL, PUNITIVE, ECONOMIC, COMMERCIAL, OR SPECIAL LOSS WHICH IS IN ANY WAY ASSOCIATED WITH A PRODUCT. THIS INCLUDES ANY LOSS OF USE OR NON-PERFORMANCE OF A PRODUCT, ANY REPLACEMENT RENTAL OR ACQUISITION COSTS, ANY LOSS OF REVENUE OR PROFITS, ANY FAILURE TO REALIZE EXPECTED SAVINGS, ANY INTEREST COSTS, ANY IMPAIRMENT OF OTHER GOODS, ANY INCONVENIENCE OR ANY LIABILITY OF PURCHASER TO ANY OTHER PERSON.

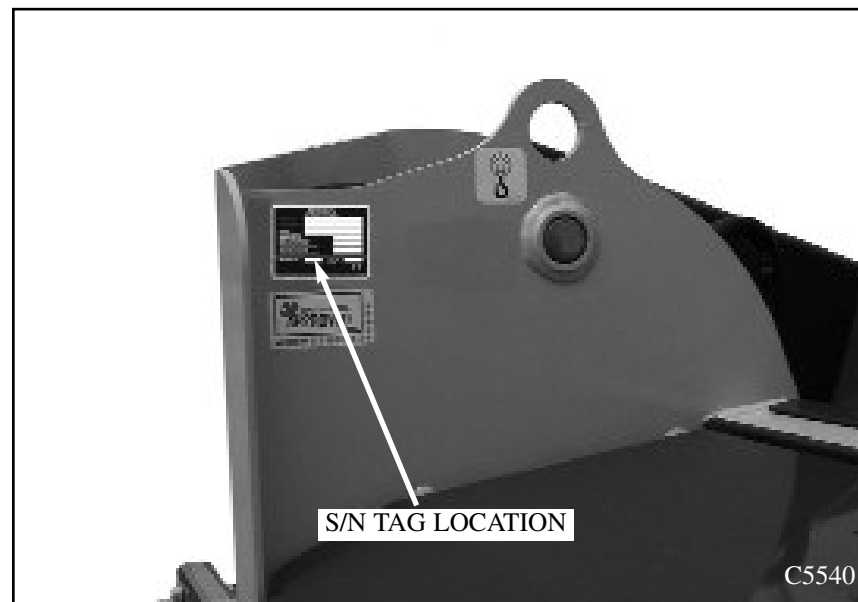
PURCHASER MAY NOT ATTEMPT TO ENLARGE ITS RIGHTS UNDER THE WARRANTY BY MAKING A CLAIM FOR INDEMNITY, FOR BREACH OF CONTRACT, FOR BREACH OF COLLATERAL WARRANTY, FOR A TORT (INCLUDING NEGLIGENCE, MISREPRESENTATION OR STRICT LIABILITY) OR BY CLAIMING ANY OTHER CAUSE OF ACTION.

THE WARRANTY IS A CONDITION OF SALE OF THE PRODUCT TO PURCHASER AND WILL THEREFORE APPLY EVEN IF PURCHASER ALLEGES THAT THERE IS A TOTAL FAILURE OF THE PRODUCT.

*N.B. Read and practice your **Thomas** operating and servicing instructions. Failure to do this may void your warranty.*

Publication Number 53379 Rev. 1

<p>MANUFACTURED FOR THOMAS EQUIPMENT INC. CENTREVILLE N.B. CANADA</p>			
MODEL/MODELLO			
N. IMPIANTAZIONE			
SERIAL NO.			
N. IDENTIFICAZIONE			
MAXIMUM MASS (kg)			
MASSA TOTALE AMMISSIBILE			
MAXIMUM FRONT AXLE LOAD (kg)			
CARICO AMMISSIBILE SULL'ASSE ANTERIORE			
MAXIMUM REAR AXLE LOAD (kg)			
CARICO AMMISSIBILE SULL'ASSE POSTERIORE			
MASSA/MASSA (kg)		POTENZA (kW)	
		POTENZA	
 2004			



It is important when ordering replacement parts or making a service inquiry to provide both the model number and serial number of your Thomas loader. The serial number plate is located at the rear of the machine on the left hand side. In the event that the serial number plate is missing, the model number and serial number are both stamped into the main frame inside the rear door, right hand side, next to the fuel line shut off petcock. (fig. C3313)

175 DECAL CHART

#38044
OIL. 20W50 API SE.CD
TH23044

#38043
OIL. 10W30 API SE.CD
TH23043

#23312
CAUTION
TH23312

#23308
TH23308

#41064
TH41064

#39192
TH39192

#23307
HYDRAULIC
HYDRAULISCH
HYRAULICO
HYDRAULIQUE
TH23307

THIS MACHINE AND ITS COMPONENTS
ARE PROTECTED BY ONE OR MORE
OF THE FOLLOWING PATENTS:
CANADIAN 4 976 864 PERDING
1 525 898 3 936 285 07690 824
2 929 910 2 832 917
4 585 800
4 281 544
4 287 544
6 186 277 TH23710

#37010

#39191
TH39191

SERVICE SCHEDULE
EVERY 1 HOUR:
EVERY 4 HOURS:
EVERY 16 HOURS:
EVERY 50 HOURS:
EVERY 100 HOURS:
EVERY 200 HOURS:
EVERY 500 HOURS:
EVERY 1000 HOURS:
TH23321

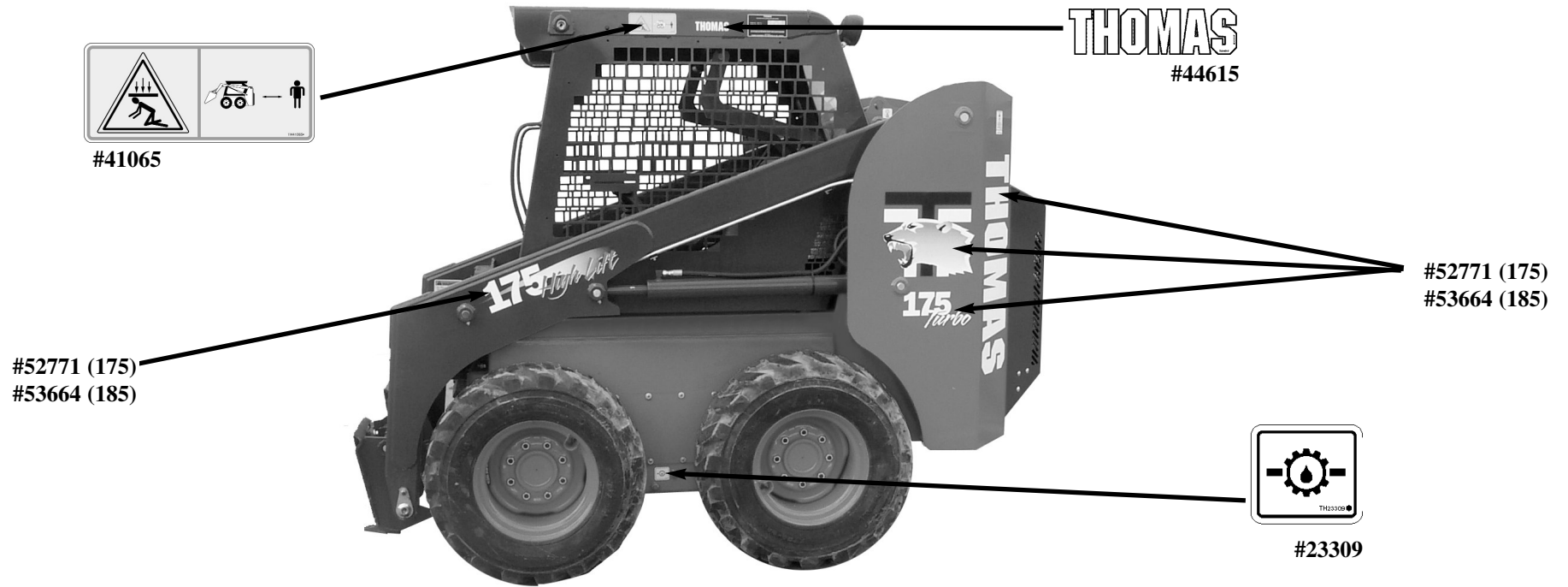
#23321
DIESEL
TH23310
#23310

TH43776
#43776

#23325
TH46301
#46301



175 DECAL CHART



PART	QTY	DESCRIPTION	PART	QTY	DESCRIPTION
052771SP	1	Decal, 175 Designation	047585SP	1	Decal, LWA 104 Noise Output(CE Loaders Only)
049273SP	1	Common Decal Kit	052754SP	1	Decal, LWA 101 Noise Output
052932SP	1	Tag, ROPS/FOPS Approval	052726SP	-	Yellow Paint, Aerosol
049196SP	1	Decal Kit, Dutch	041123SP	-	Grey Paint, Aerosol
049192SP	1	Decal Kit, German	052725SP	1	Yellow Paint, Pre-mixed. (Per Litre)
049191SP	1	Decal Kit, French	041738SP	1	Grey Paint, Pre-mixed. (Per Litre)
049193SP	1	Decal Kit, Italian			
049194SP	1	Decal Kit, Spanish			
049195SP	1	Decal Kit, Danish			
049190SP	1	Decal Kit, Portuguese			

185 DECAL CHART

THOMAS

#44615



#41065

#53664

#53664



#23309

PART	QTY	DESCRIPTION	PART	QTY	DESCRIPTION
053664SP	1	Decal, 185 Designation	052754SP	1	Decal, LWA 101 Noise Output
052932SP	1	Tag, ROPS/FOPS Approval	052726SP	-	Yellow Paint, Aerosol
053583SP	1	Common Decal Kit	041123SP	-	Grey Paint, Aerosol
053584SP	1	Decal Kit, English	052725SP	1	Yellow Paint, Pre-mixed. (Per Litre)
049196SP	1	Decal Kit, Dutch	041738SP	1	Grey Paint, Pre-mixed. (Per Litre)
049192SP	1	Decal Kit, German			
049191SP	1	Decal Kit, French			
049193SP	1	Decal Kit, Italian			
049194SP	1	Decal Kit, Spanish			
049195SP	1	Decal Kit, Danish			
049190SP	1	Decal Kit, Portuguese			

1. MAINFRAME

Fuel System.....	1.1
Rear Door.....	1.2
Universal Quick-Tach.....	1.3
Lift Arms and Pivot Pins.....	1.4
ROPS Assembly.....	1.5
Boom Supports.....	1.6
Shields.....	1.7
Insulation.....	1.8
Seat and Seat Belt.....	1.9

2. CONTROLS

Control Levers (Up To LQ001373).....	2.1(A)
Control Levers (LQ001374 Onward).....	2.1(B)
Foot Pedals.....	2.2
Throttle.....	2.3
Restraint Bar.....	2.4

3. FINAL DRIVE TRANSMISSION

Transmission Housing.....	3.1
Axle Assembly (Includes Drive Chains).....	3.2

4. HYDRAULIC SYSTEM

Oil Reservoir.....	4.1
Hydraulic Oil Filter & Cooler.....	4.2
Boom Lift Circuit.....	4.3
Radiator and Fan Assembly (Up To LQ001699).....	4.4(A)
Radiator and Fan Assembly (LQ001700 Onward).....	4.4(B)
Lift Cylinder.....	4.5
Bucket Tilt Circuit.....	4.6
Tilt Cylinder.....	4.7
Auxiliary Circuit with Accumulator.....	4.8(A)
Auxiliary Circuit Without Accumulator.....	4.8(B)
Control Valve.....	4.9

5. HYDROSTATIC DRIVE SYSTEM

Hydrostatic Drive Circuit.....	5.1
Hydrostatic Tandem Pump.....	5.2
Torque Motor.....	5.3
Brake Valve.....	5.4

6. ELECTRICAL SYSTEM

Electrical Wiring, ROPS.....	6.1
Electrical Wiring, Engine.....	6.2

7. ENGINE EQUIPMENT

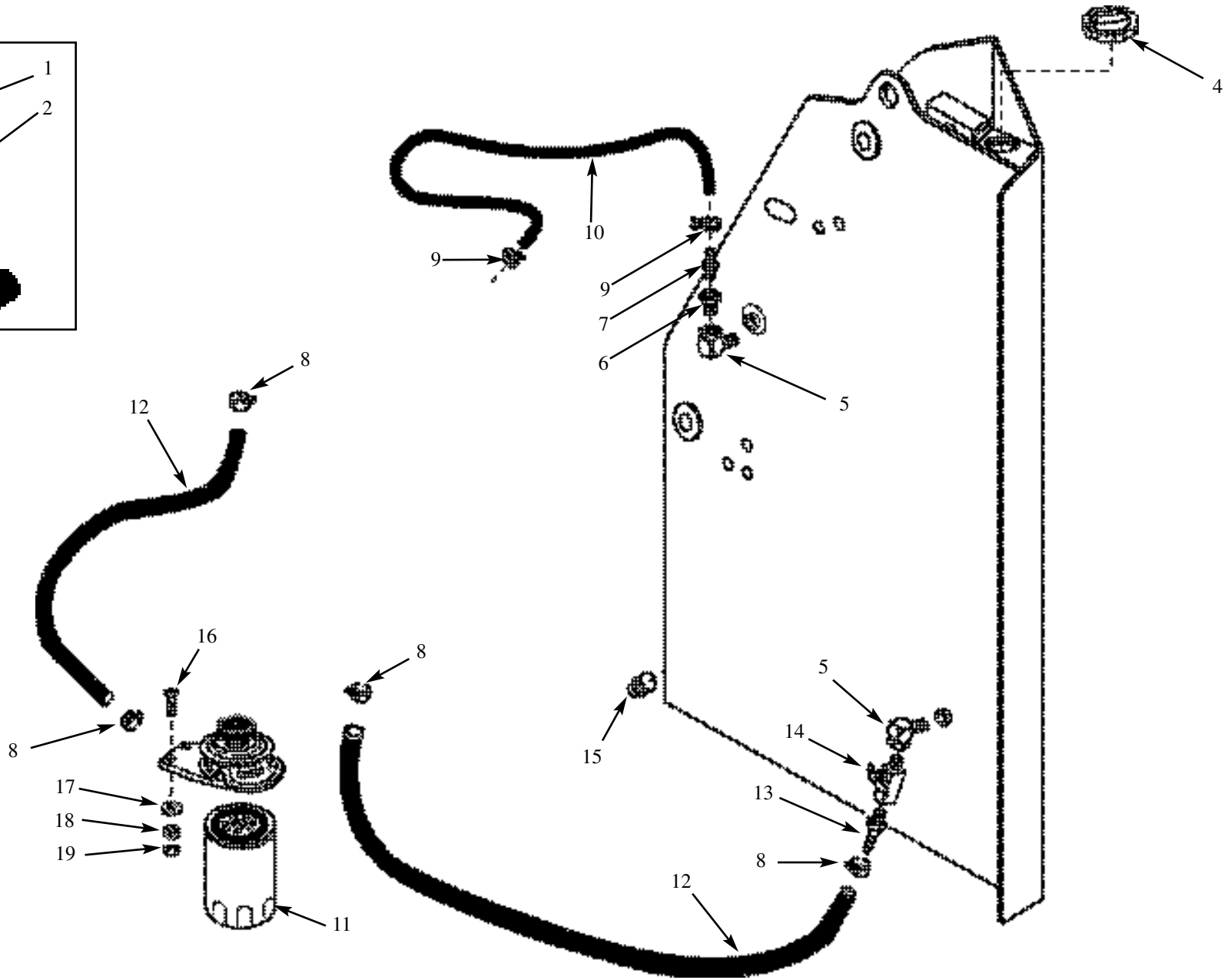
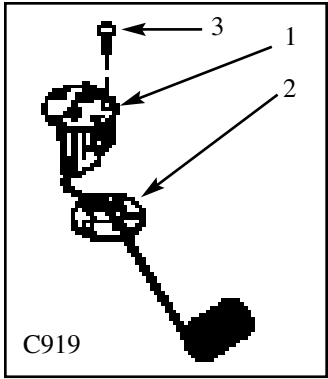
Air Cleaner (Up To LQ001699).....	7.1(A)
Air Cleaner (LQ001700 Onward).....	7.1(B)
Exhaust System.....	7.2
Engine and Accessories (Up To LQ001699).....	7.3(A)
Engine and Accessories (LQ001700 Onward).....	7.3(B)
Universal Joint.....	7.4

8. OPTIONAL EQUIPMENT

Cab Enclosure (<i>Standard on CE & GJK loaders</i>).....	8.1
Cab Heater.....	8.2
Cab Door.....	8.3
Side Windows - Painted.....	8.4
Block Heater.....	8.5
Horn.....	8.6
Backup Alarm.....	8.7
Seat Belt.....	8.8
Auto Engine Shutdown.....	8.9
Axle Seal Protector.....	8.10
Wheel Equipment.....	8.11
Hydraulic Oil Heater.....	8.12
Interior Light & Exterior Trouble.....	8.13
Precleaner.....	8.14
Stop Switch.....	8.15
Purifier (175 Only).....	8.16
Lifting Lug (ROPS).....	8.17
Self Level Valve.....	8.18
Light Kit.....	8.19
Driving Lamp Kit.....	8.20

1. MAINFRAME

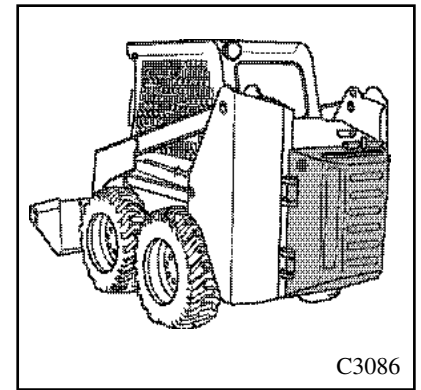
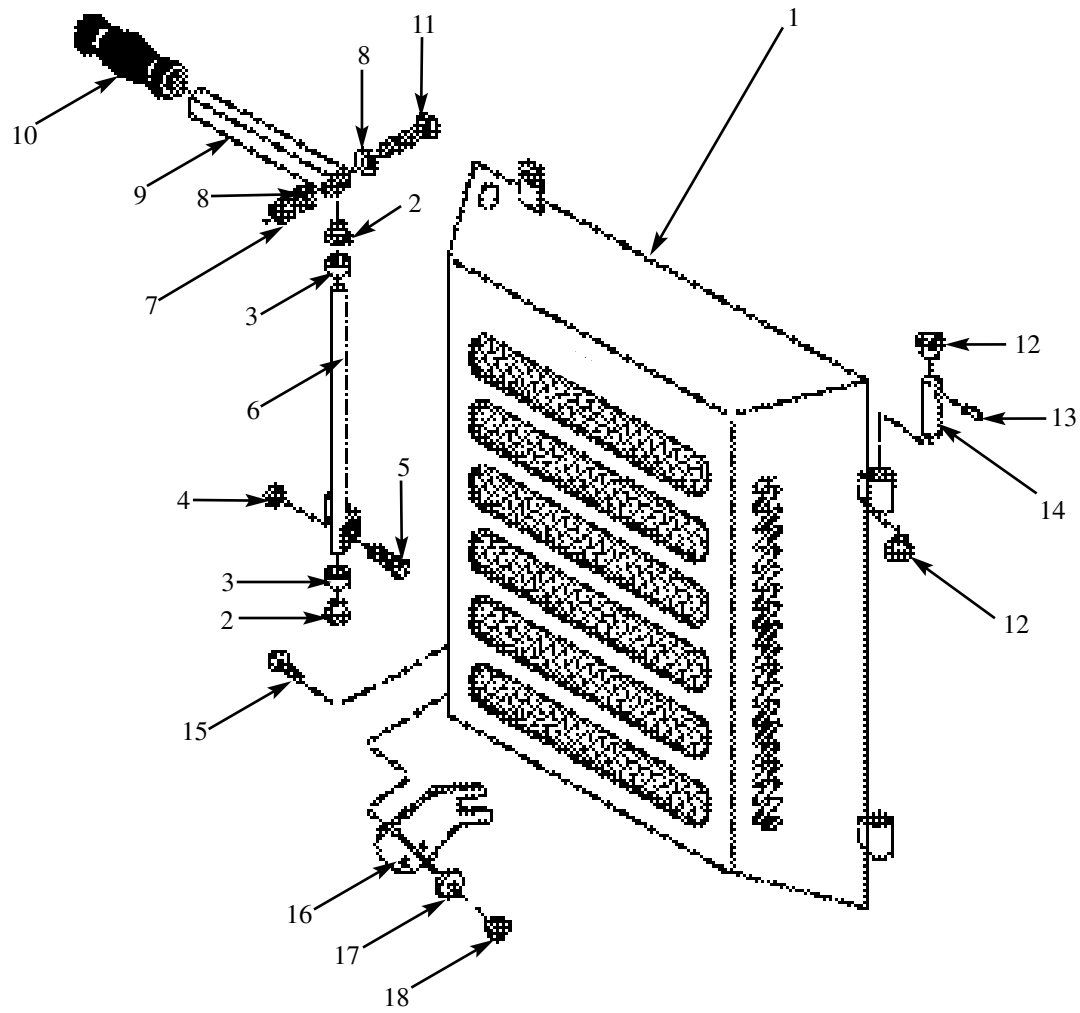
Fuel System	1.1
Rear Door.....	1.2
Universal Quick-Tach.....	1.3
Lift Arms and Pivot Pins	1.4
ROPS Assembly	1.5
Boom Supports	1.6
Shields	1.7
Insulation	1.8
Seat and Seat Belt.....	1.9



ITEM	PART	QTY	DESCRIPTION
1.	043744SP	1	Sender, Fuel Level
2.	024624SP	1	Gasket, Fuel Sender
3.	023194SP	5	Screw
4.	040921SP	1	Fuel Cap
4.	040922SP	1	Locking Fuel Cap (Option - 175 Only)
5.	042574SP	1	Elbow
6.	042572SP	1	Reducer Bushing
7.	018318SP	1	Hose End
8.	019949SP	4	Fuel Line Clamp
9.	026737SP	2	Clamp, Wire Hose 3/16
10.	0407SPSP	3.3 ft.	Hose, Fuel 3 3/16
11.	042561SP	1	Fuel Filter Element
*	042560SP	1	Fuel Filter Assy.
12.	000261SP	5.33 ft.	Hose, Fuel 5 5/16 (48" Tank to Filter, 16" Filter to Engine)
13.	023861SP	1	Hose End
14.	014797SP	1	Shut Off Petcock (175 Only)
15.	017144SP	1	Drain Plug
16.	001387SP	2	Bolt
17.	001643SP	2	Flat Washer
18.	001642SP	2	Lock Washer
19.	001194SP	2	Nut

REAR DOOR

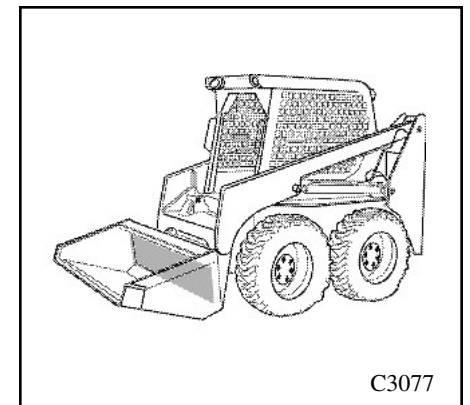
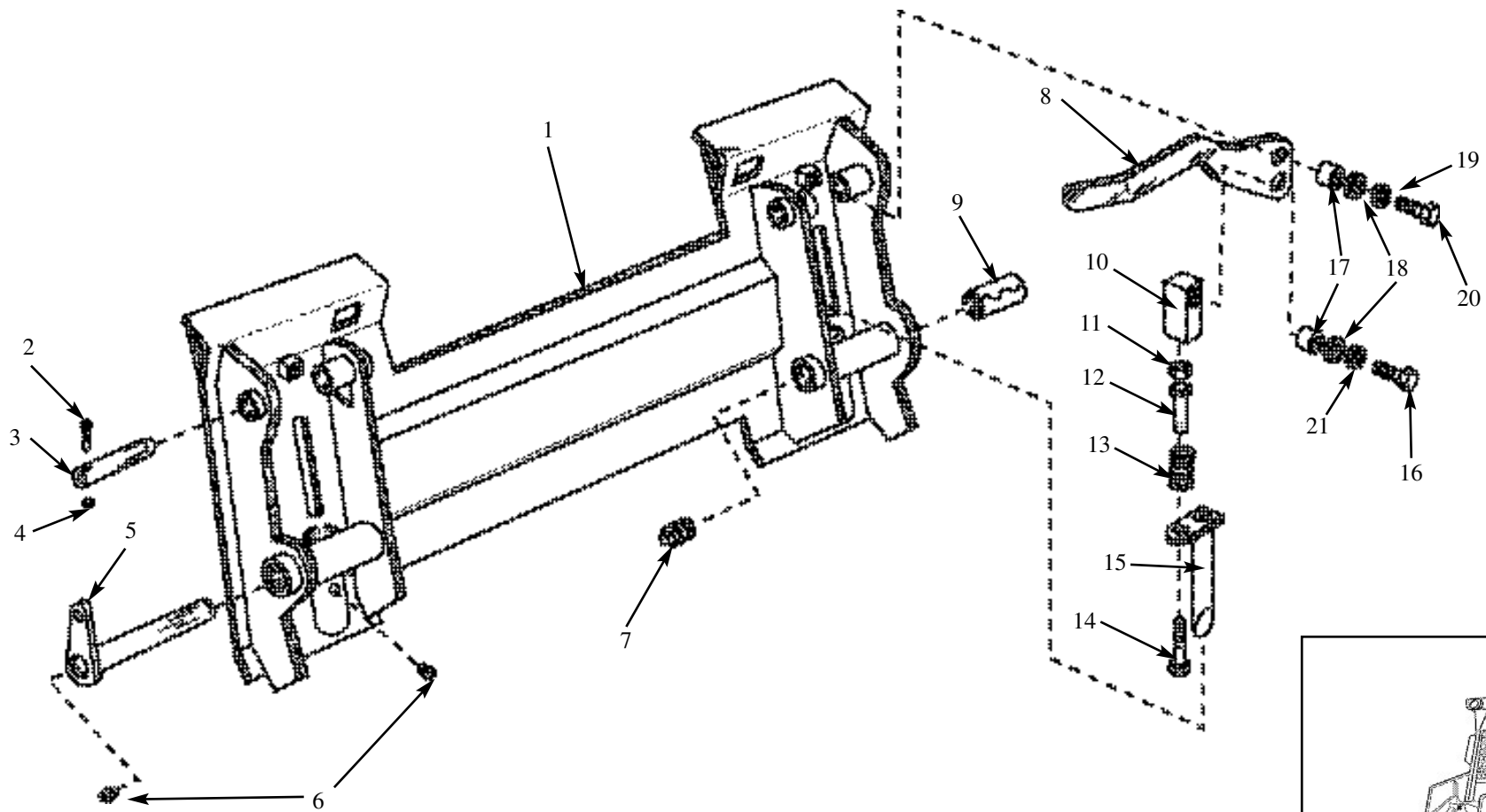
1.2



C3086

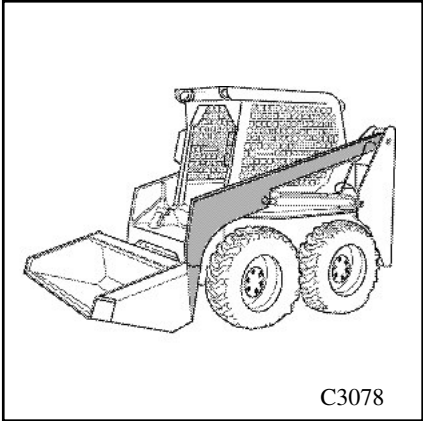
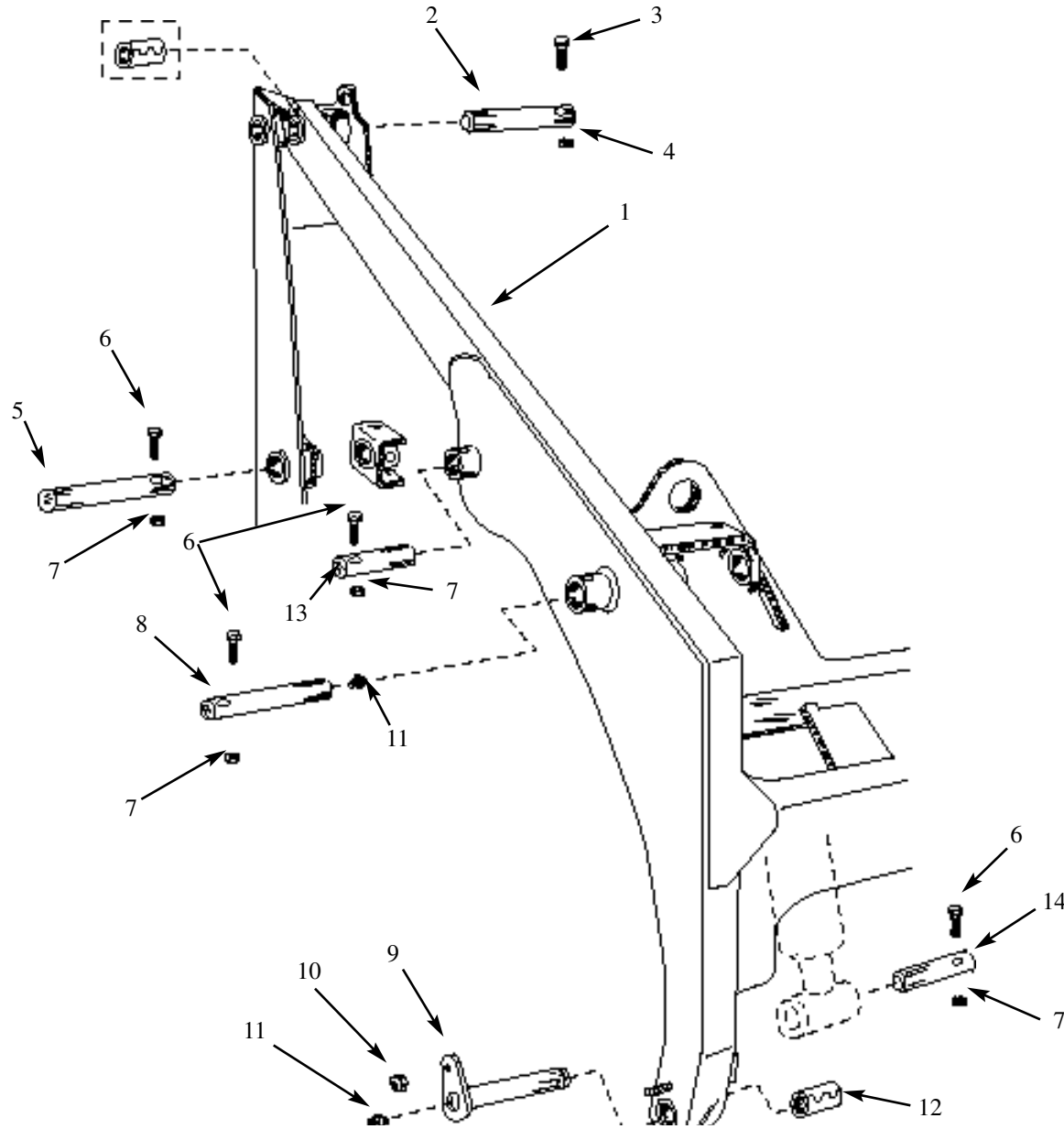
C3197

ITEM	PART	QTY	DESCRIPTION
1.	965933SP	1	Door, Rear Welded Assembly,(Up to LQ001699)
1.	966505SP	1	Door, Rear Welded Assembly (LQ001700 Onward)
2.	016989SP	2	Bearing
3.	047952SP	2	Set Collar
4.	020860SP	1	Nut
5.	002823SP	1	Bolt
6.	961614SP	1	Lock, Rear Door Assembly (Up To LQ001699)
6.	966506SP	1	Lock, Rear Door Assembly (LQ001700 Onward)
7.	016771SP	1	Lock Nut
8.	001651SP	2	Flat Washer
9.	035426SP	1	Handle
10.	003189SP	1	Lever Grip
11.	001678SP	1	Bolt
12.	031488SP	4	Bearing
13.	046227SP	2	Pivot Pin
14.	031489SP	2	Split Spring Pin
15.	002835SP	3	Bolt
16.	041956SP	1	Door Guide Plate
17.	001643SP	3	Flat Washer
18.	007465SP	3	Lock Nut

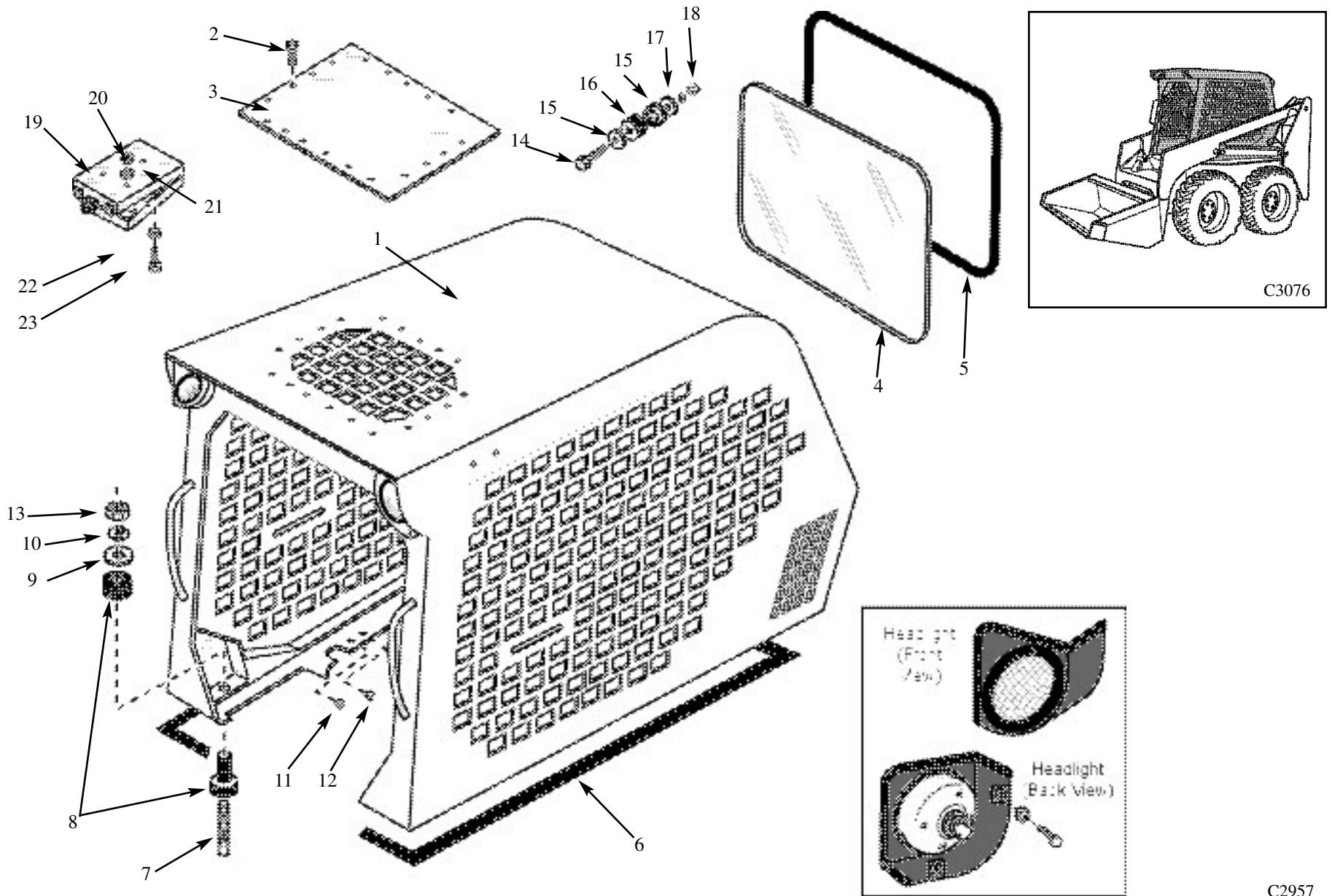


ITEM	PART	QTY	DESCRIPTION
1.	961697SP	1	Quick-Tach, Universal Welded Assy.
2.	007458SP	2	Bolt
3.	043636SP	2	Pivot Pin (Hardened)
4.	016771SP	2	Lock Nut
5.	043634SP	2	Pivot Pin (Hardened)
*	008613SP	2	Lock Nut for Pivot Pin
6	002010SP	4	Grease Fitting
7.	001458SP	2	Plug
8.	041290SP	1	Lock Handle, Right Hand
*	041291SP	1	Lock Handle, Left Hand
9.	041318SP	2	Hardened Bushing
10.	040614SP	2	Linkage Block
11.	020860SP	2	Nut
12.	042350SP	2	Bushing
13.	041391SP	2	Spring
14.	0002011SP	2	Bolt
15.	961834SP	1	Lock Pin, RH
*	961833SP	1	Lock Pin, LH
16.	003321SP	2	Bolt
17.	022653SP	4	Bushing, Stabilizer Bar
18.	023385SP	4	Flat Washer
19.	041392SP	2	Belleville Spring Washer
20.	001680SP	2	Bolt
21.	020861SP	2	Lock Washer
*	966477SP	1	Kit Assembly (Includes Items 2 - 21)

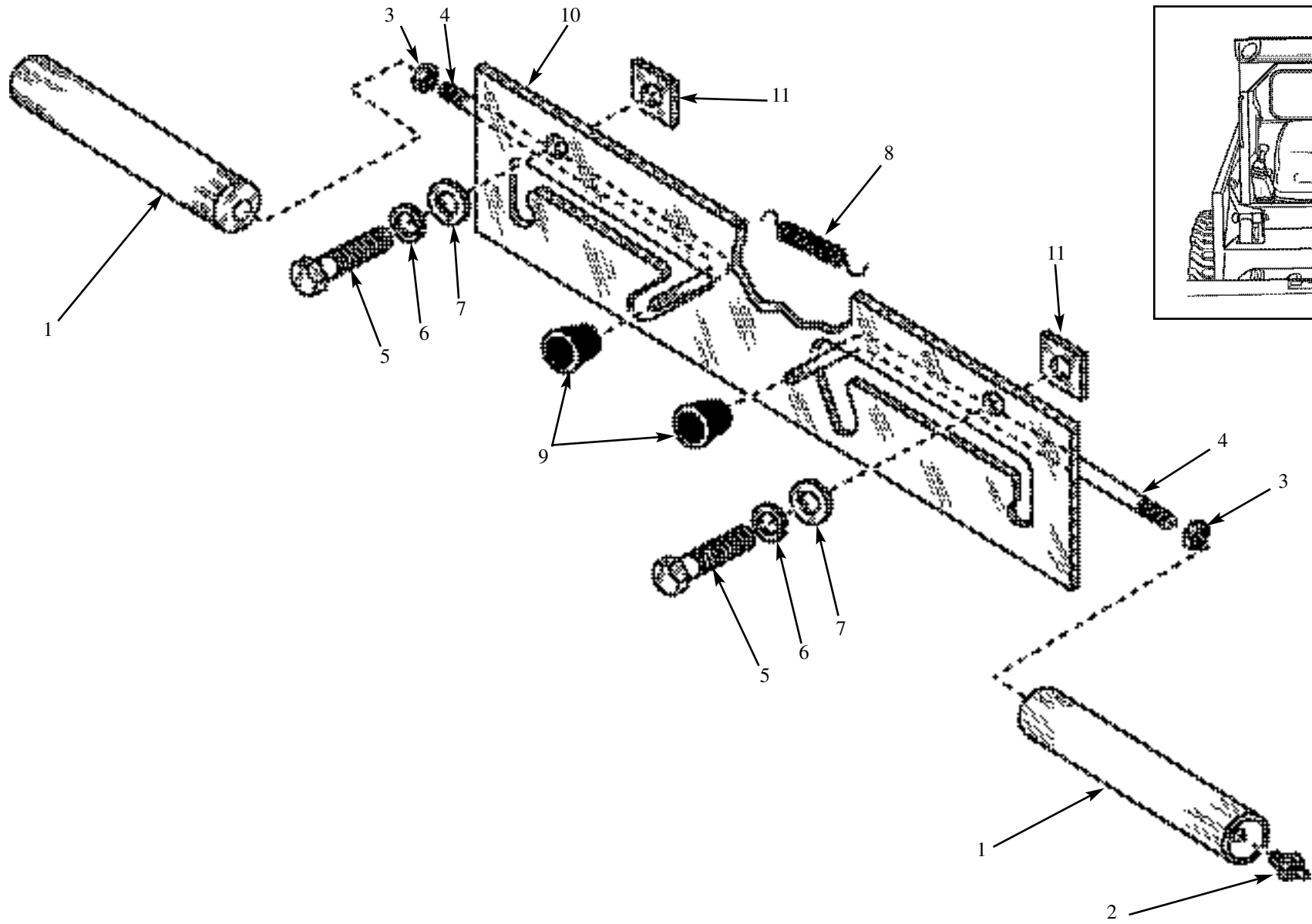
LIFT ARMS and PIVOT PINS



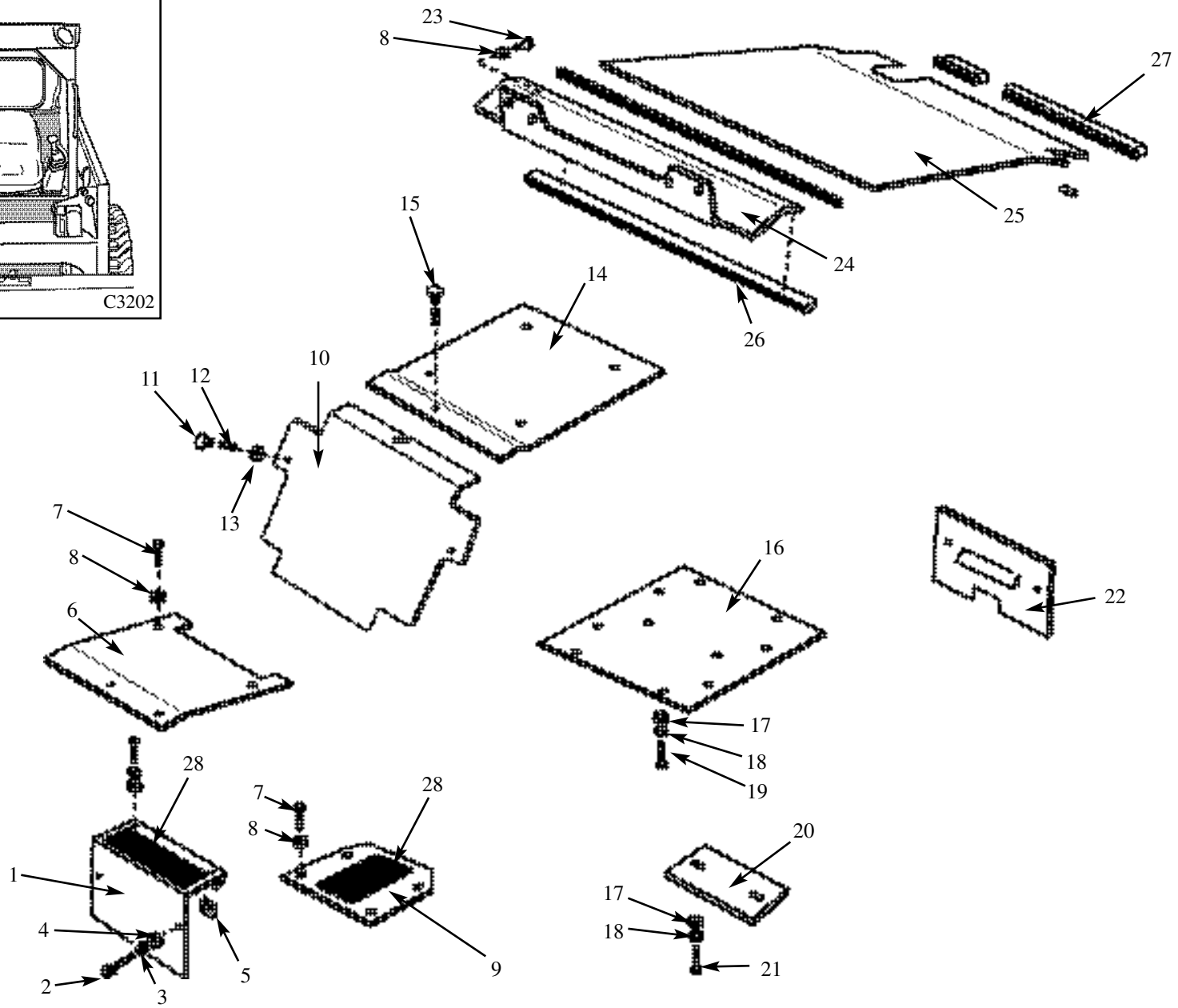
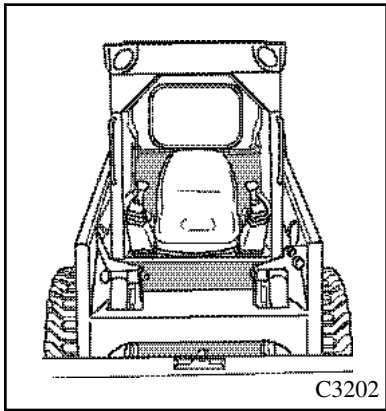
ITEM	PART	QTY	DESCRIPTION
1.	963646SP	1	Lift Arm Welded Assembly
2.	43635	2	Pivot Pin, Hardened
3.	1671	2	Bolt
4.	7465	2	Lock Nut
5.	43637	2	Pivot Pin, Hardened
6.	7458	8	Bolt
7.	16771	8	Lock Nut
8.	43831	2	Pivot Pin, Hardened
9.	43634	2	Pivot Pin, hardened
10.	8613	2	Lock Nut
11.	2010	4	Grease Fitting
12.	41410	2	Hardened Bushing
13.	43828	2	Hardened Pin
14.	43636	2	Pivot Pin, Hardened



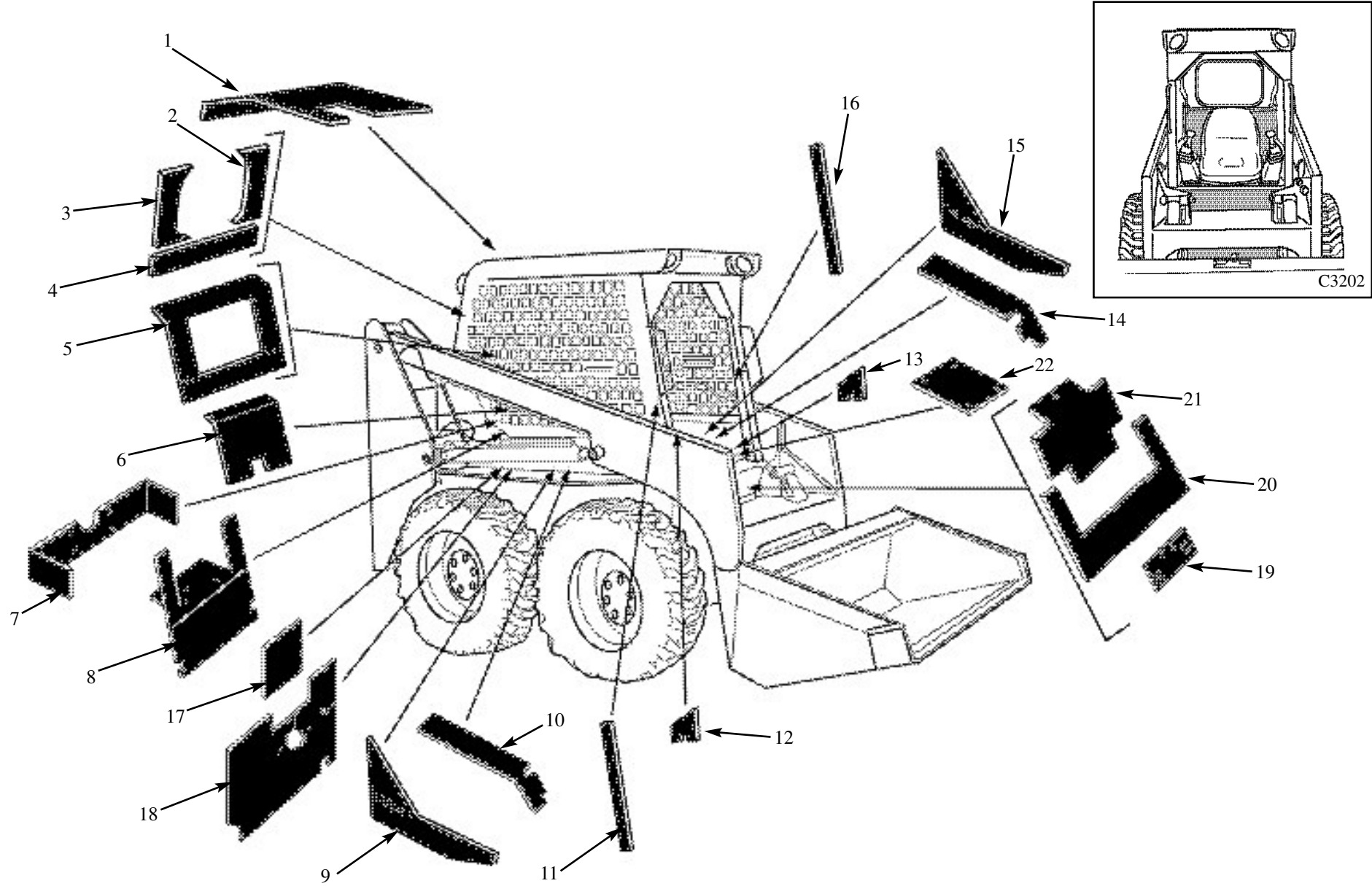
ITEM	PART	QTY	DESCRIPTION
1.	964597SP	1	R.O.P.S. Welded Assembly (Up To LQ001385 Non-CE and Up To LQ001609 for CE loaders)
1.	966524SP	1	R.O.P.S. Welded Assembly (LQ001386 Onward Non-CE and LQ001610 Onward for CE loaders)
2.	031744SP	12	Screw
3.	037808SP	1	Top Window
4.	049739SP	1	Kit, Rear Window
6.	015931SP	1	Weatherstrip, Foam, Kit (28ft)
7.	017633SP	4	Stud
8.	038561SP	4	Isolator
9.	023452SP	4	Washer, Snubbing
10.	001647SP	4	Lock Washer
11.	039537SP	1	Plug
12.	039126SP	1	Plug
13.	016608SP	4	Lock Nut
14.	002898SP	1	Bolt
15.	020235SP	2	Washer
16.	038560SP	1	Isolator
17.	020861SP	1	Lock Washer
18.	020860SP	1	Nut
19.	053143SP	1	Manual Holder
20.	006645SP	3	Lock Nut
21.	018455SP	3	Washer
22.	001650SP	3	Washer
23.	002663SP	3	Bolt



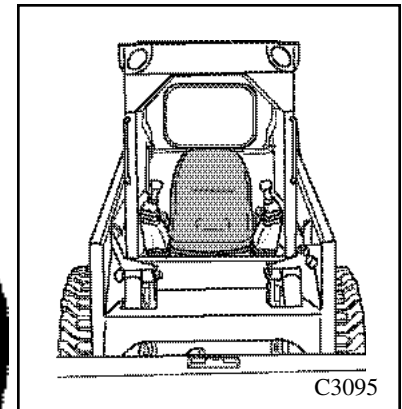
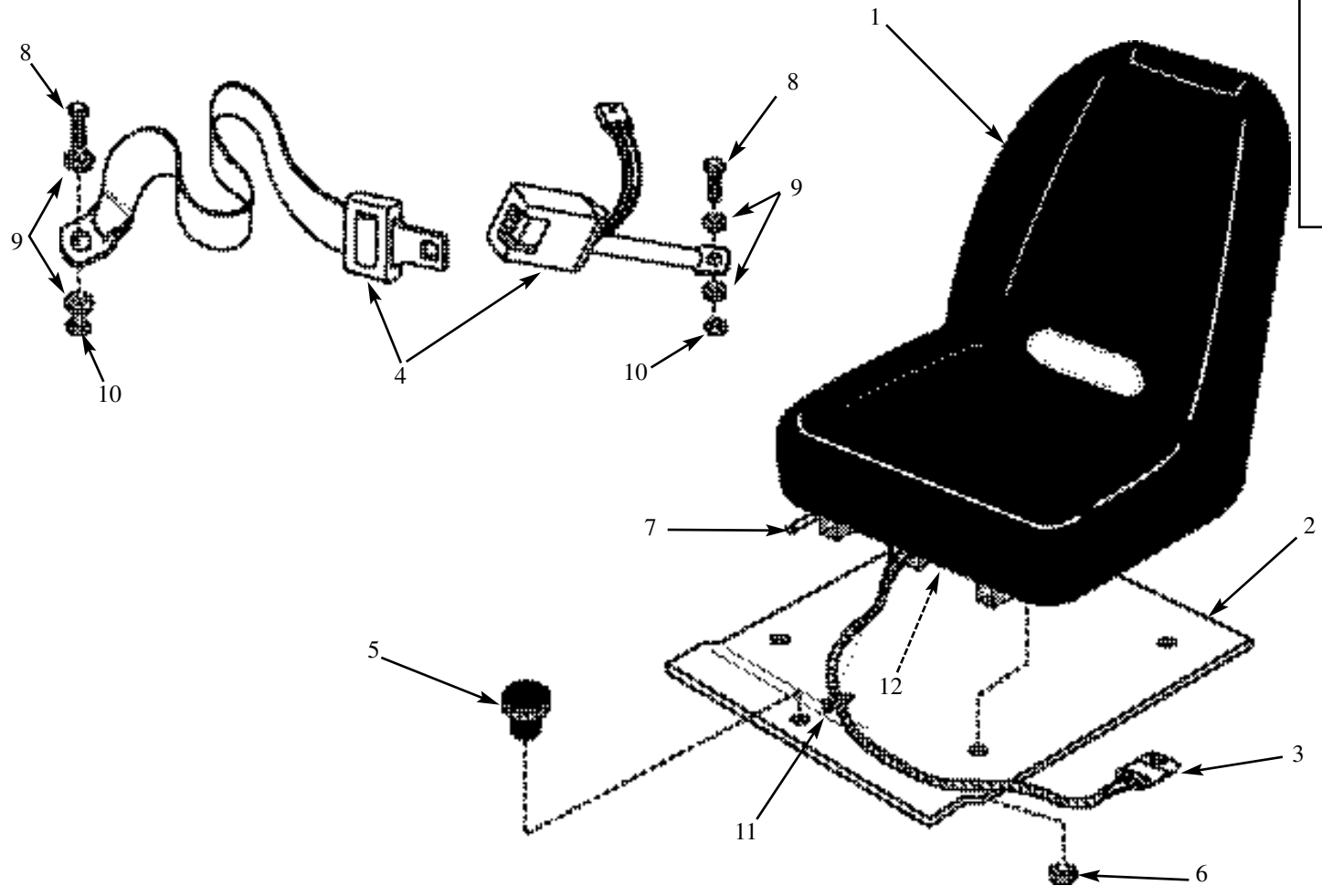
ITEM	PART	QTY	DESCRIPTION
1.	044061SP	2	Pin, Boom Support
2.	002010SP	2	Grease Fitting
3.	001350SP	2	Nut
4.	040337SP	2	Bar, Lock Pin Handle
5.	002593SP	2	Bolt
6.	001870SP	2	Lock Washer
7.	001651SP	2	Flat Washer
8.	042491SP	1	Spring
9.	039546SP	2	Handle Knobs
10.	038797SP	1	Panel
11.	006086SP	2	Captive Nut



ITEM	PART	QTY	DESCRIPTION
1.	025762SP	1	Shield, Front Step
2.	001190SP	4	Bolt, Hex
3.	001870SP	4	Washer, Lock
4.	001651SP	4	Washer, Flat
5.	006086SP	4	Nut, Captive
6.	963266SP	1	Step Shield Assy. (Hand Controls)
7.	002663SP	4	Bolt, Hex
8.	001650SP	8	Washer, Flat
9.	044797SP	1	Sheet, Step Shield (Foot Controls)
10.	963106SP	1	Front Bulkhead Assy.
11.	041791SP	2	Knob, Black, w/Brass Insert
12.	041704SP	2	Bar, Stud
13.	001651SP	2	Washer, Flat
14.	041619SP	1	Sheet, Seat Mount
15.	042070SP	1	Knob, Black w/Stud
16.	047150SP	1	Plate, Rear Access Cover
17.	001643SP	10	Washer, Flat
18.	001642SP	10	Washer, Lock
19.	001387SP	8	Bolt, Hex
20.	032070SP	1	Sheet, Clean Up Cover
21.	001193SP	2	Bolt, Hex
22.	961528SP	1	Sheet Panel Access Assy. (Up To LQ001699)
22.	966465SP	1	Sheet Panel Access Assy. (LQ001700 Onward)
23.	031744SP	4	Screw, Hex Head, Tapping
24.	051840SP	1	Sheet, Rear Shield
25.	963748SP	1	Engine Cover Assy.
26.	000820SP	2.917 ft.	Edging, Vinyl Door .25"
27.	000821SP	2.333 ft.	Molding, Trim Seal 1/8"
28.	044286SP	1	Safety Track



ITEM	PART	QTY	DESCRIPTION
1.		1	Insulation, Headliner
2.		1	Insulation, Left Rear Cornerpost
3.		1	Insulation, Right Rear Cornerpost
4.		1	Insulation, Lower Rear Window Panel
5.		1	Insulation, Back Panel
6.		1	Insulation, Battery Compartment Cover
7.		1	Insulation, Outer Blanket
8.		1	Insulation, Battery Box Blanket
9.		1	Insulation, Right Side Panel
10.		1	Insulation, ROPS Shield RH
11.		1	Insulation, Right Front Cornerpost
12.		1	Insulation, Right Cab Mount Filler
13.		1	Insulation, Left Cab Mount Filler
14.		1	Insulation, ROPS Shield LH
15.		1	Insulation, Left Side Panel
16.		1	Insulation, Left Front Cornerpost
*	053499SP	1	Insulation, Rops Kit, Items 1 Through16
17.		1	Insulation,Panel Access (Up to LQ001699)
17.		1	Insulation, Panel Access(LQ001700 Onward)
18.		1	Insulation, Pump Mount (Up to LQ001699)
18.		1	Insulation, Pump Mount (LQ1700 Onward)
19		1	Insulation, Front Frame
20		1	Insulation,Front Bulkhead
21		1	Insulation, Front Shield
22		1	Insulation,Seat Mount
*	053506SP	1	Insulation, Frame Kit, Items 17 Through 22
*	053060SP	1	Insulation, Engine Cover (LQ001700 Onward)



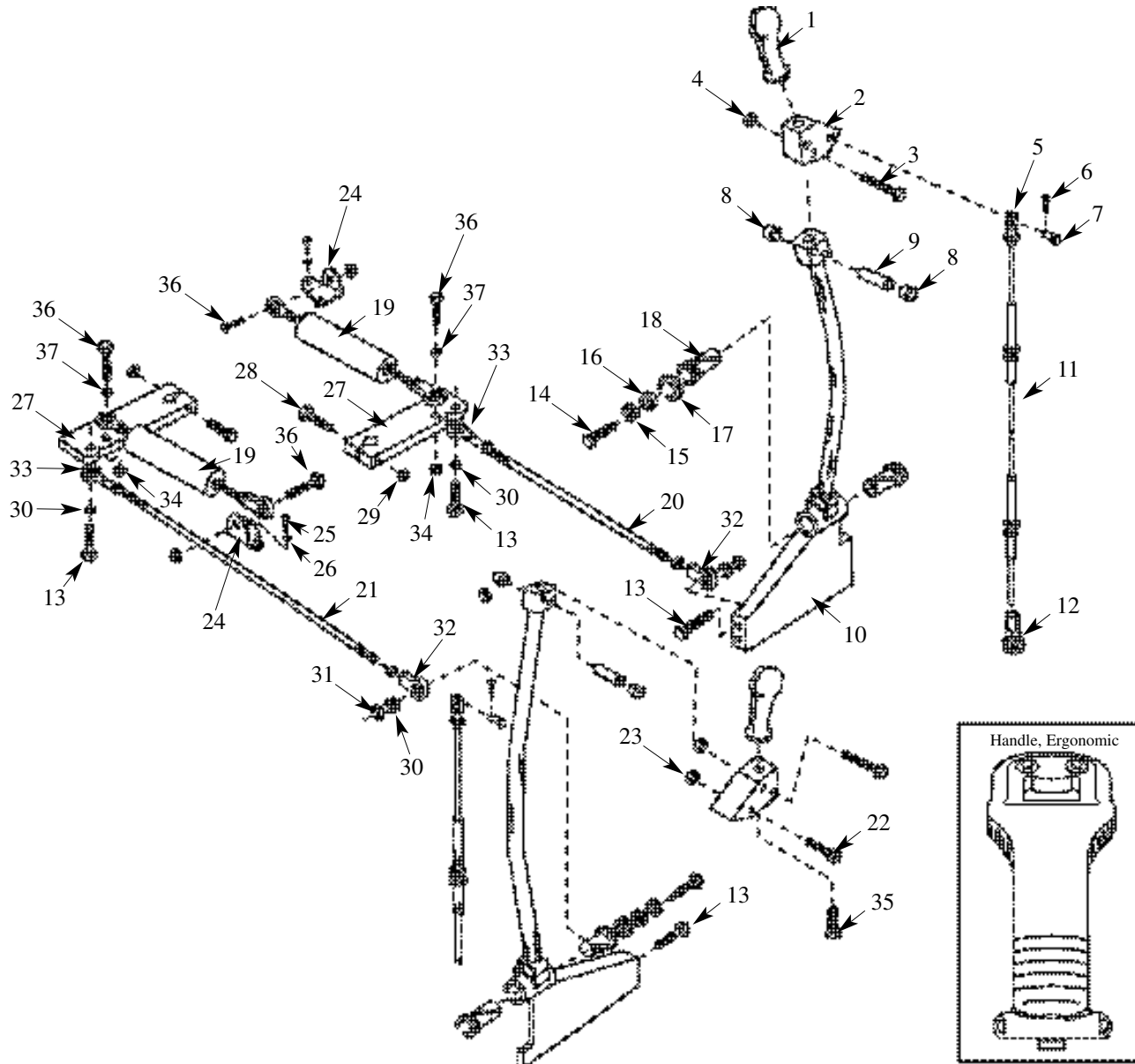
ITEM	PART	QTY	DESCRIPTION
1.	038600SP	1	Seat, Assy with Logo
2.	041619SP	1	Seat Mount
3.	039904SP	1	Harness, Seat Switch Wire
4.	961372SP	1	Seat Belt Assembly (2" Standard Up To LQ001699)
4.	963406SP	1	Seat Belt Assembly (3" Option)
4.	964285	1	Seat Belt Assembly (2" Standard LQ0001700 Onward)
5.	042070SP	1	Knob w/ Stud
6.	043558SP	4	Nut
7.	042931SP	1	Seat Rail Adjusters
8.	001193SP	2	Bolt
9.	001643SP	4	Flat Washer
10.	007465SP	2	Lock Nut
11.	040581SP	1	Clip
12.	038516SP	1	Seat Switch

2. CONTROLS

Control Levers (Up To LQ001373)	2.1(A)
Control Levers (LQ001374 Onward)	2.1(B)
Foot Pedals.....	2.2
Throttle	2.3
Restraint Bar	2.4

CONTROL LEVERS (To LQ001373))

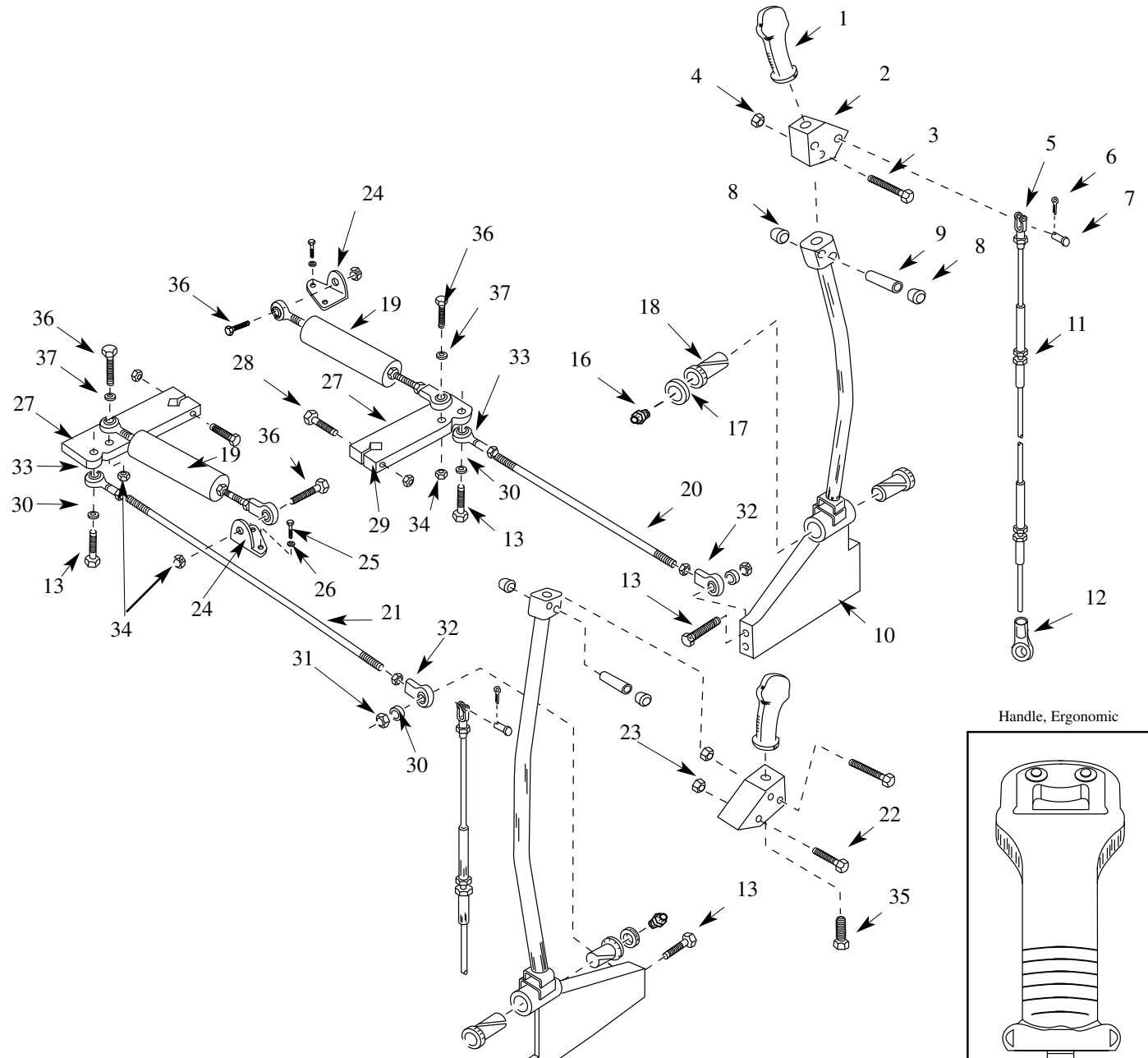
2.1(A)



ITEM	PART	QTY	DESCRIPTION	ITEM	PART	QTY	DESCRIPTION
1.	044181SP	1	Handle, Ergonomic Plain	27.	964350SP	2	Pintle Lever Assy
	044182SP	1	Handle, Ergonomic w/Rocker Switch	28.	001677SP	2	Bolt
2.	962874SP	2	Lever Base Welded Assy	29.	016771SP	2	Nut
3.	025589SP	2	Bolt, Hex	30.	006394SP	6	Washer, Lock
4.	023772SP	2	Nut, Jam, Locking	31.	043384SP	2	Nut, Nylok
5.	035884SP	2	Clevis (Hand Control Loaders Only)	32.	042207SP	2	Rod End Assy, Female
6.	001630SP	2	Cotter Pin (Hand Control Loaders Only)	33.	042208SP	2	Rod End Assy, Female
7.	030044SP	2	Clevis Pin (Hand Control Loaders Only)	34.	007465SP	4	Nut, Nylok
8.	044348SP	4	Flange Bushing	35.	044513SP	2	Bolt, Ergonomic Handle (With Hole)
9.	044349SP	2	Tube, Handle Spacer		046353SP	2	Bolt, Hex (No Hole)
10.	963348SP	1	Control Lever, LH	36.	001672SP	4	Bolt, Hex
	963349SP	1	Control Lever, RH	37.	001642SP	4	Washer
11.	047426SP	2	Cable, Push-Pull (Hand Control Loaders Only)				
12.	035883SP	2	Rod End Assy (Hand Control Loaders Only)				
13.	002008SP	4	Bolt, Hex				
14.	051155SP	2	Bolt				
15.	020861SP	2	Washer, Lock				
16.	023385SP	2	Washer, Flat				
17.	002010SP	2	Grease Fitting				
18.	044347SP	4	Flange Bushing				
19.	964357SP	2	Hydroback Assy				
20.	046756SP	1	Bar, Pintle Linkage LH				
21.	044450SP	1	Bar, Pintle Linkage RH				
22.	001677SP	2	Bolt, Hex				
23.	016771SP	2	Nut, Nylok, Hex				
24.	046366SP	2	Hydroback Mount				
25.	021559SP	4	Bolt				
26.	021029SP	4	Washer				

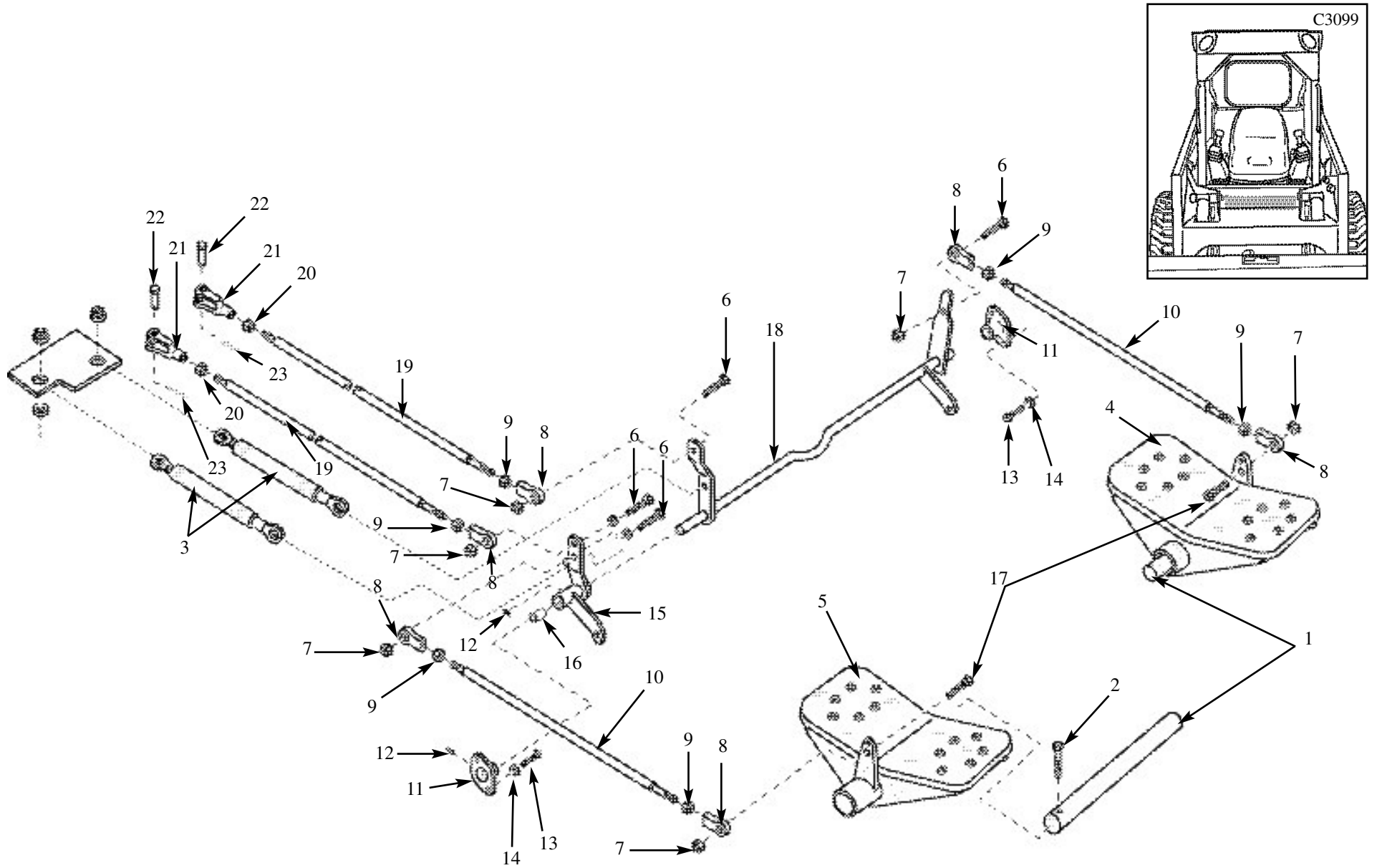
CONTROL LEVERS (LQ001374 Onward)

2.1(B)

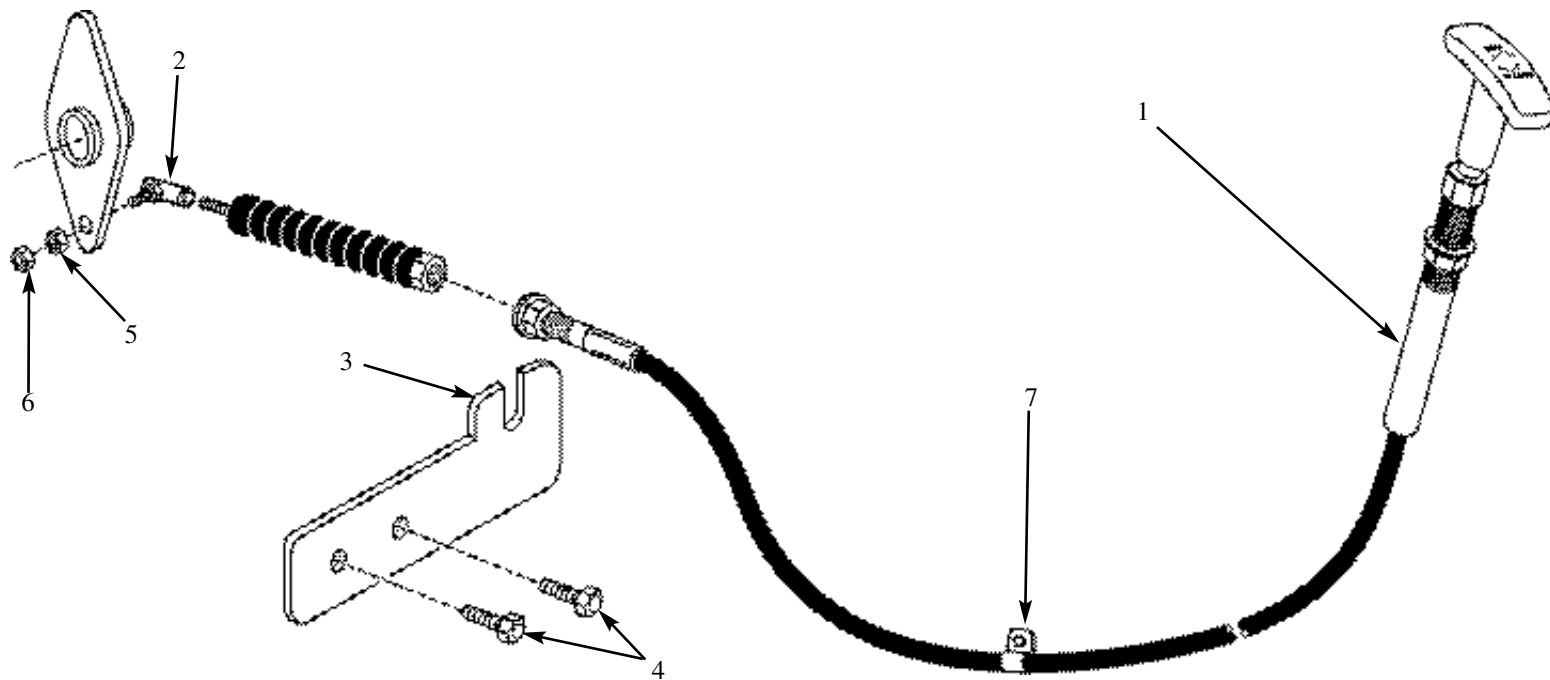
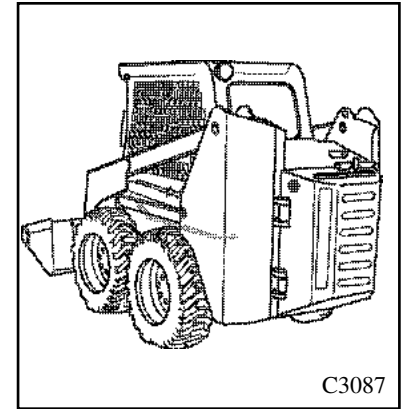


ITEM	PART	QTY	DESCRIPTION	ITEM	PART	QTY	DESCRIPTION
1.	044181SP	1	Handle, Ergonomic Plain	27.	964350SP	2	Pintle Lever Assy
	044182SP	1	Handle, Ergonomic w/Rocker Switch	28.	001677SP	2	Bolt
2.	962874SP	2	Lever Base Welded Assy	29.	016771SP	2	Nut
3.	025589SP	2	Bolt, Hex	30.	006394SP	6	Washer, Lock
4.	023772SP	2	Nut, Jam, Locking	31.	043384SP	2	Nut, Nylok
5.	035884SP	2	Clevis (Hand Control Loaders Only)	32.	042207SP	2	Rod End Assy, Female
6.	001630SP	2	Cotter Pin (Hand Control Loaders Only)	33.	042208SP	2	Rod End Assy, Female
7.	030044SP	2	Clevis Pin (Hand Control Loaders Only)	34.	007465SP	4	Nut, Nylok
8.	044348SP	4	Flange Bushing	35.	044513SP	2	Bolt, Ergonomic Handle (With Hole)
9.	044349SP	2	Tube, Handle Spacer		046353SP	2	Bolt, Hex (No Hole)
10.	963348SP	1	Control Lever, LH	36.	001672SP	4	Bolt, Hex
	963349SP	1	Control Lever, RH	37.	001642SP	4	Washer
11.	047426SP	2	Cable, Push-Pull (Hand Control Loaders Only)				
12.	035883SP	2	Rod End Assy (Hand Control Loaders Only)				
13.	002008SP	4	Bolt, Hex				
16.	002010SP	2	Grease Nipple				
17.	029384SP	2	Washer, Fender				
18.	044347SP	4	Flange Bushing				
19.	959073SP	2	Hydroback Assy				
20.	046756SP	1	Bar, Pintle Linkage LH				
21.	044450SP	1	Bar, Pintle Linkage RH				
22.	001677SP	2	Bolt, Hex				
23.	016771SP	2	Nut, Nylok, Hex				
24.	046366SP	2	Hydroback Mount				
25.	021559SP	4	Bolt				
26.	021029SP	4	Washer				

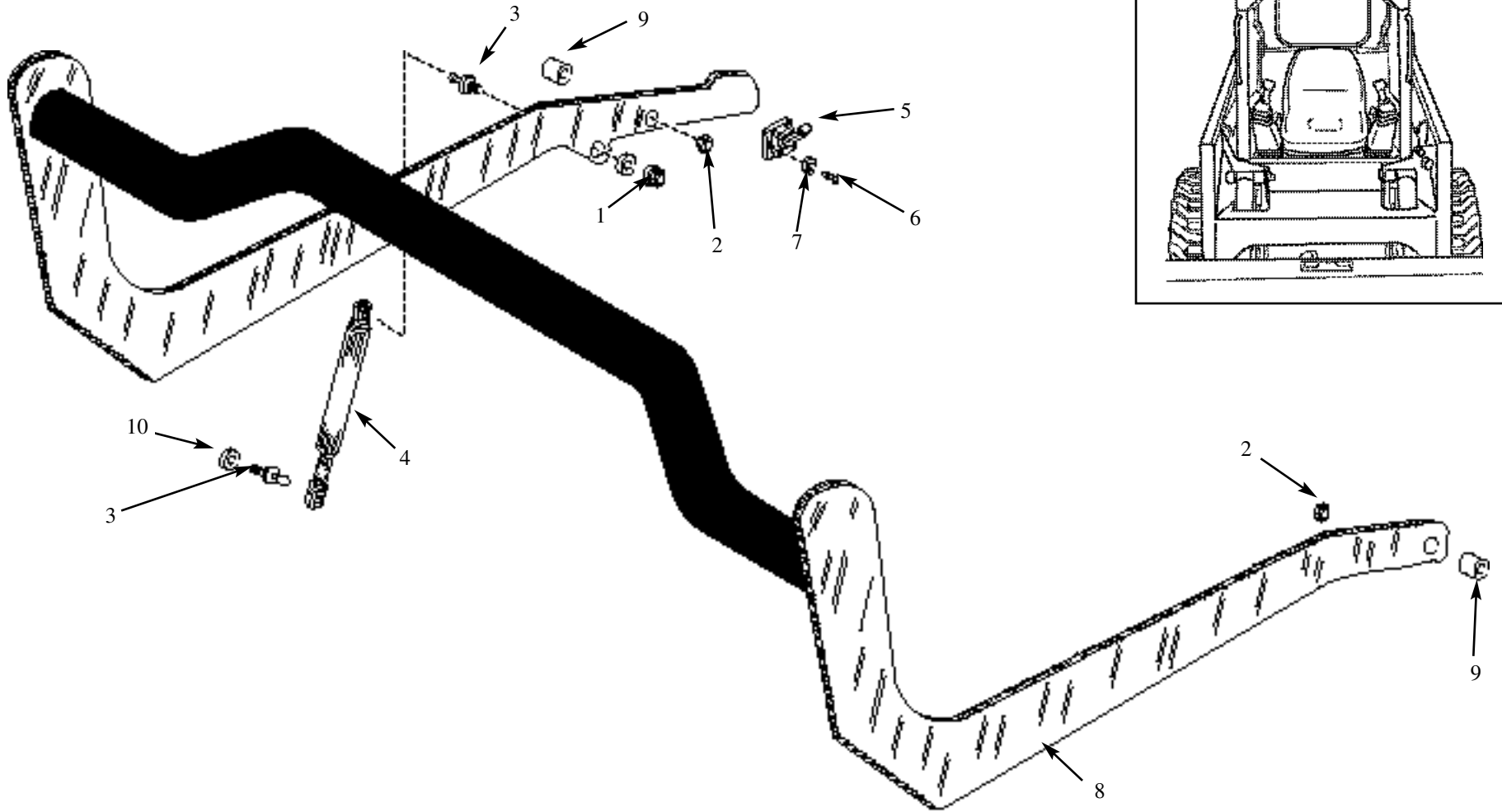
FOOT PEDALS



ITEM	PART	QTY	DESCRIPTION
1.	044789SP	2	Bar, Foot Pedal Shaft
2.	046106SP	2	Screw, Cap, Hex Socket Head Stainless
3.	047371SP	2	Dampener, Self-Centering, 9 lb. (Up To LQ001374) (CE Loaders up to LQ001577)
4.	965593SP	1	Pedal, Lift Assy (LH)
5.	965594SP	1	Pedal, Tilt Assy (RH)
6.	002580SP	4	Bolt, Hex
7.	016771SP	6	Nut, Nylok, Hex
8.	026174SP	6	Rod End Assy
9.	001626SP	6	Nut, Hex
10.	044762SP	2	Bar, Valve Control Front
11.	044979SP	2	Bearing, Flanged, 2-Bolt
12.	002010SP	2	Grease Fitting
13.	002593SP	4	Bolt, Hex
14.	001870SP	4	Washer, Lock
15.	963900SP	1	Activator, RH Assy
16.	047760SP	2	Bearing
17.	046159SP	2	Bolt, Carriage
18.	963905SP	1	Assy, Control Cross Shaft
19.	046876SP	2	Bar, Valve Control Rear
20.	005405SP	2	Nut, Hex
21.	035884SP	2	Clevis
22.	030044SP	2	Clevis Pin
23.	001630SP	2	Cotter Pin



ITEM	PART	QTY	DESCRIPTION
1.	043840SP	1	Cable, Turn to Lock 68"
2.	042047SP	1	Joint, Ball Socket
3.	051118SP	1	Throttle Bracket
4.	049205SP	2	Bolt, Hex
5.	001350SP	2	Nut
6.	023772SP	1	Nut, Jam
7.	040581SP	1	Clip, Cable



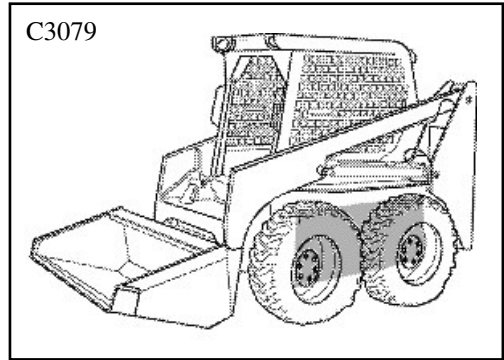
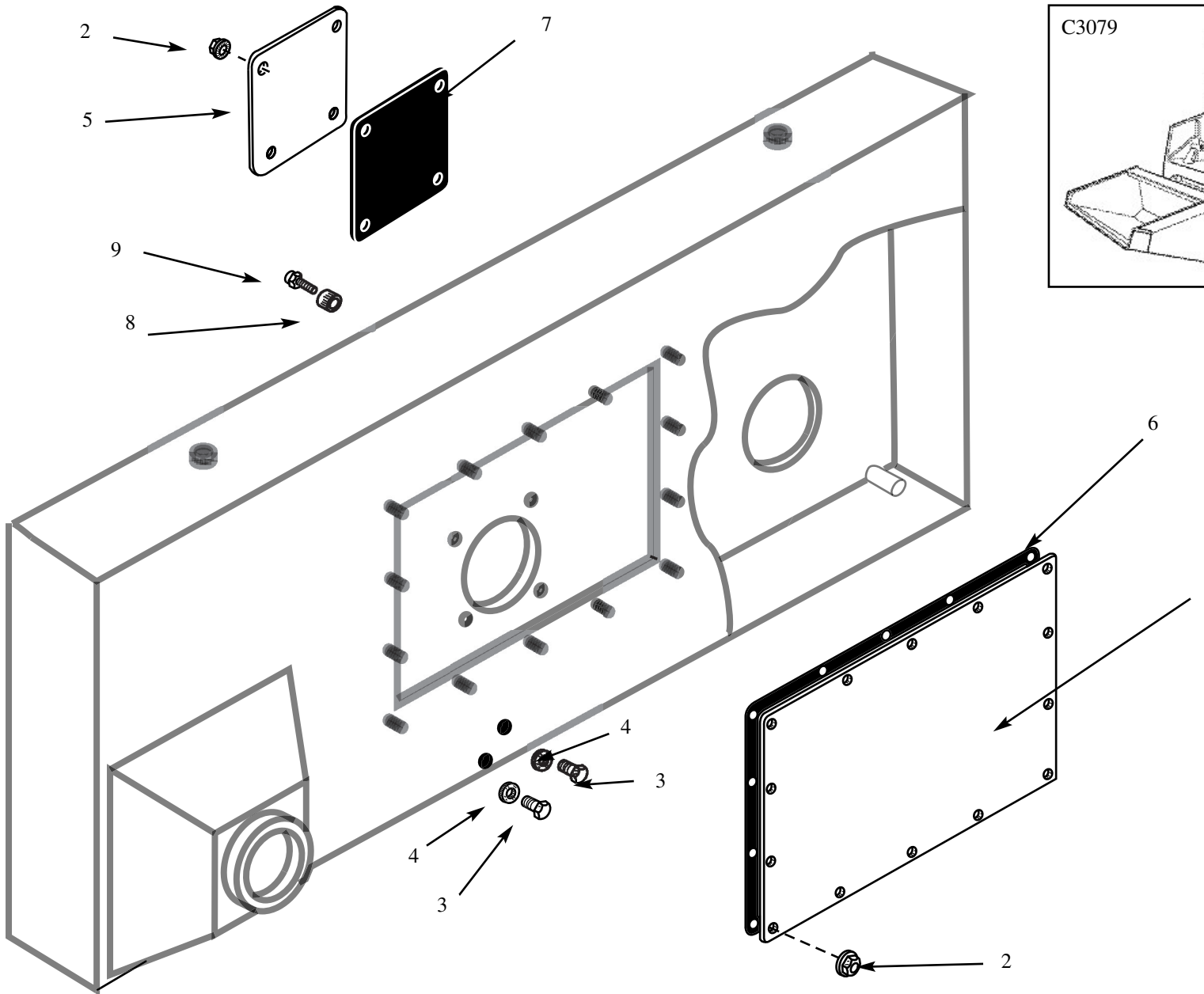
ITEM	PART	QTY	DESCRIPTION
1.	026172SP	1	Nut, Jam
2.	008613SP	2	Nut, Nylok
3.	043005SP	2	Stud, Ball
4.	043004SP	1	Gas Spring
5.	042950SP	1	Switch, Dual
6.	023194SP	2	Screw, Self Tapping
7.	002811SP	2	Washer, Lock
8.	964600SP	1	Restraint Bar Assy.
9.	040320SP	2	Spacer
10.	001870SP	1	Lockwasher

3. FINAL DRIVE TRANSMISSION

Transmission Housing	3.1
Axle Assembly (Includes Drive Chains).....	3.2

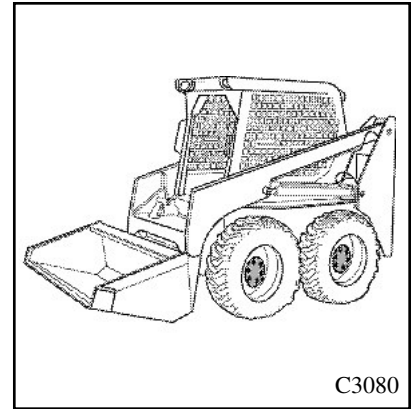
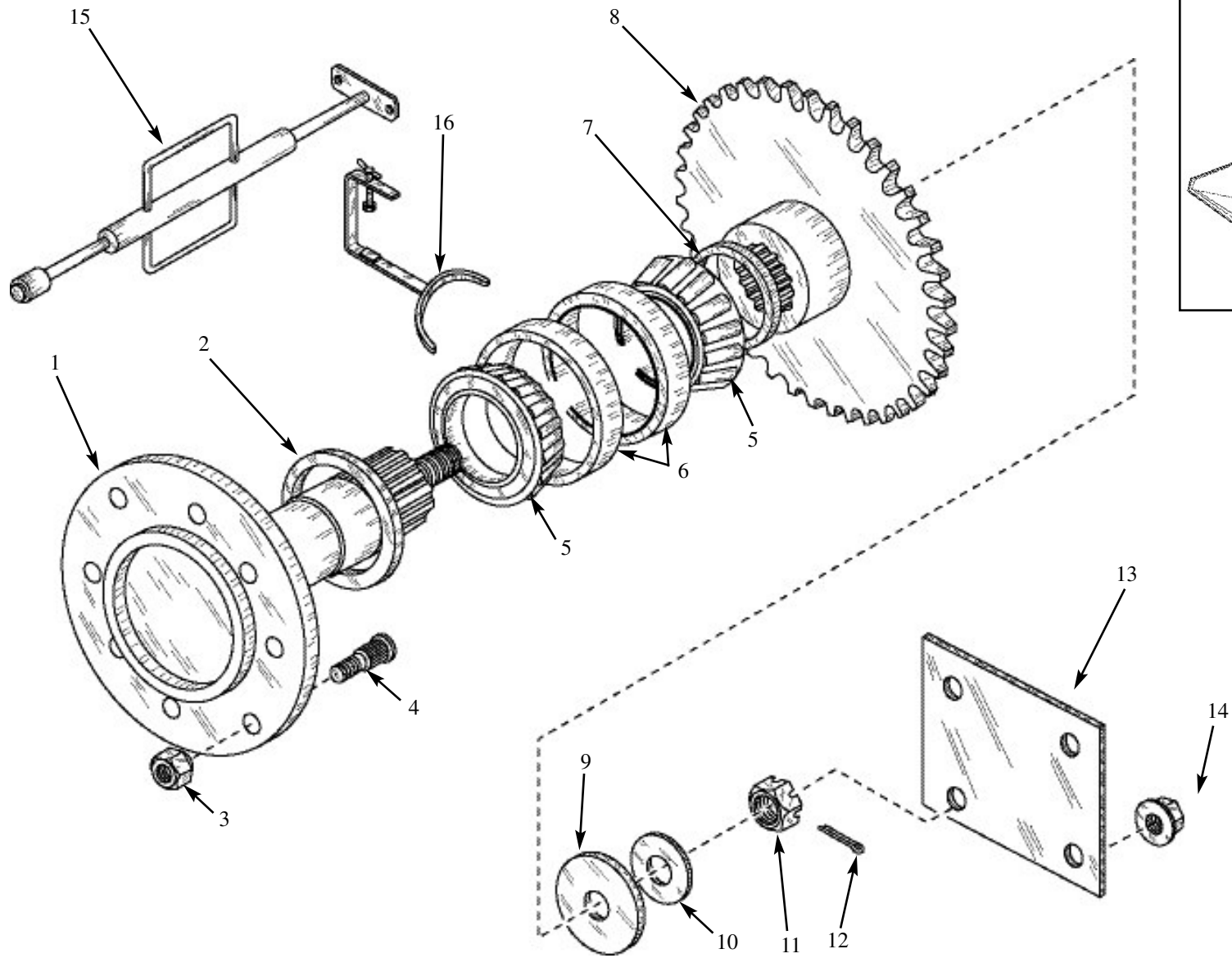
TRANSMISSION HOUSING

3.1



C5447

ITEM	PART	QTY	DESCRIPTION
1.	052415SP	2	Inspection Cover
2.	043558SP	40	Nut, Hex Flange
3.	044357SP	4	Plug, Hex
4.	044358SP	4	Washer, Nylon
5.	051119SP	4	Axle Cover
6.	046457SP	2	Gasket
7.	049270SP	2	Axle Cover Gasket



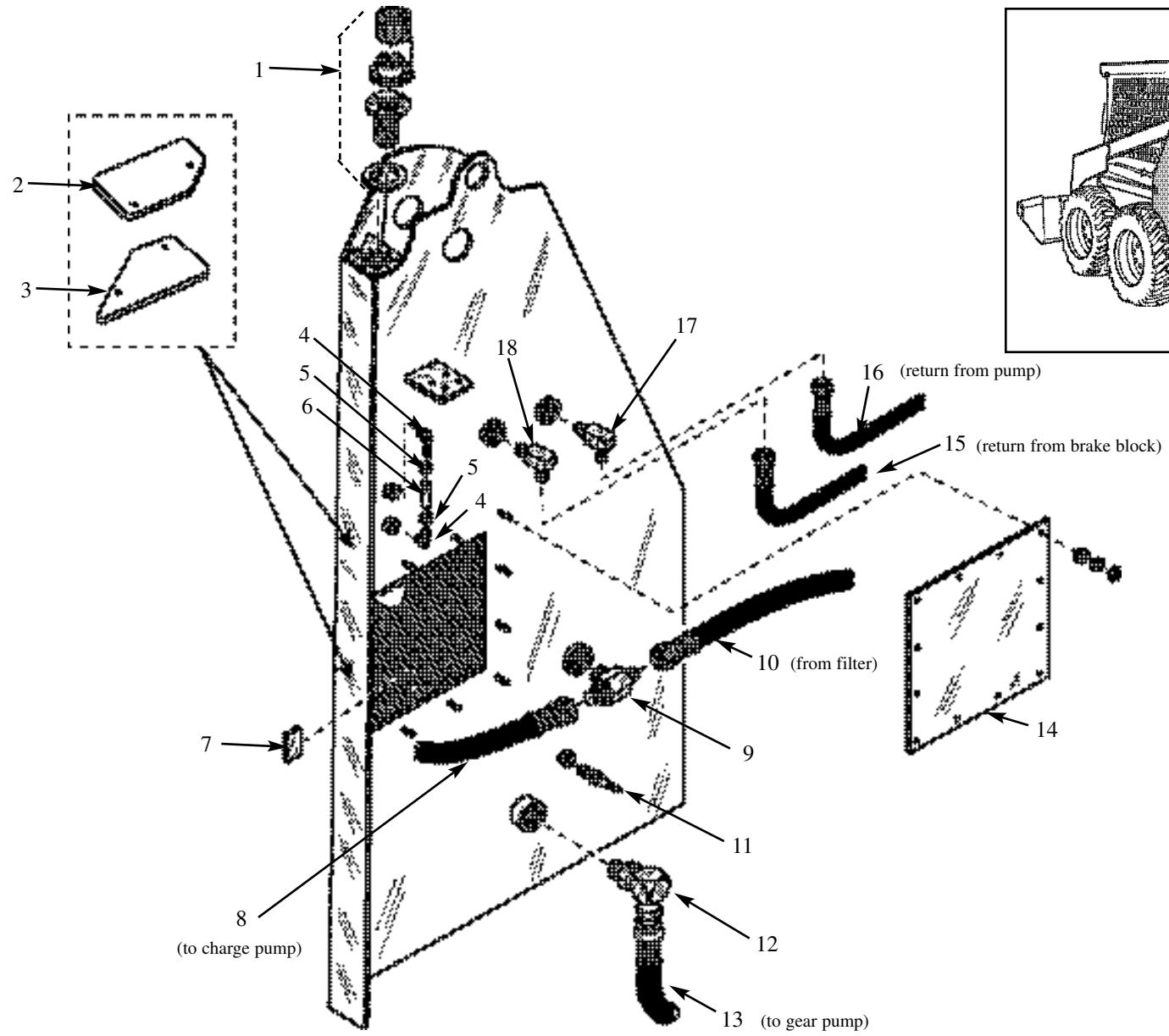
ITEM	PART	QTY	DESCRIPTION
1.	957785SP	1	Axle, Assy
2.	029029SP	1	Seal
3.	005832SP	8	Wheel nut
4.	026188SP	8	Wheel stud
5.	026509SP	2	Bearing, Cone
6.	026510SP	2	Bearing, Cup
7.	025618SP	1	Plate, Axle Spacer
8.	026042SP	1	Sprocket, 27T100
9.	029361SP	1	Plate, Axle Washer
10.	022448SP	1	Washer, Axle
11.	014877SP	1	Castle Nut
12.	001386SP	1	Cotter Pin
13.	051119SP	4	Sheet, Axle Cover
*	049270SP	4	Gasket, Axle Covers
14.	043558SP	4	Nut, Hex Flange
15.	960475SP	1	Axle Puller
16.	958674SP	2	Seal Installation Tool, 2 required

Chains and Connecting Links

*	046800SP	2	Chain, 100 48P w/Connecting Link
*	046801SP	2	Chain, 100 54P w/Connecting Link
*	032907SP	2	Connecting Link 100

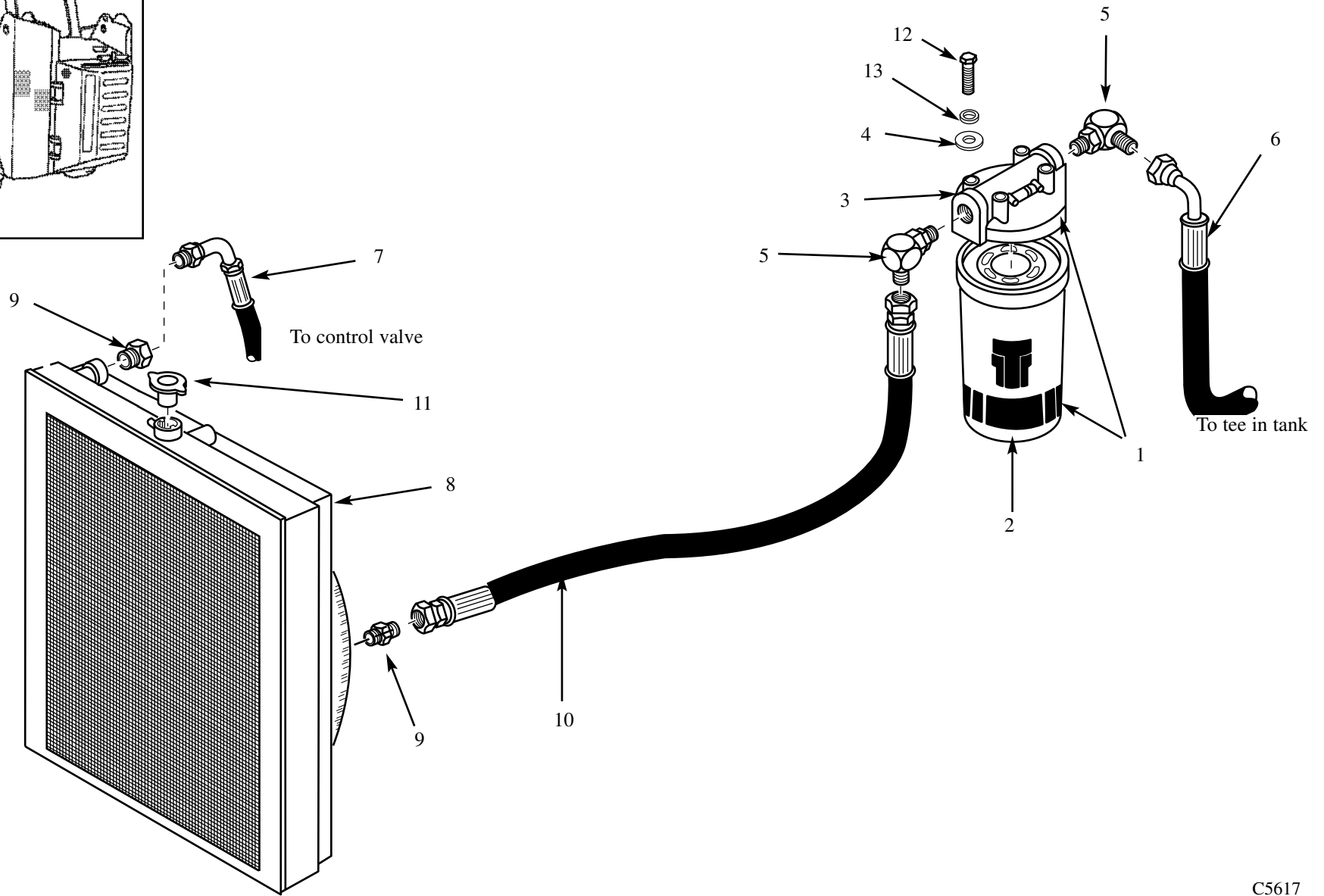
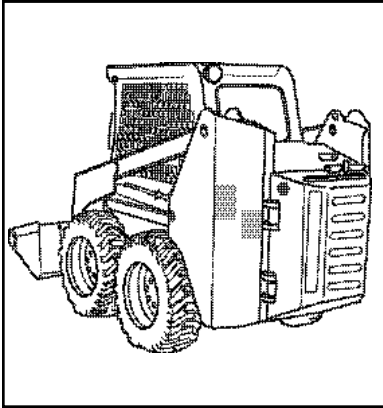
4. HYDRAULIC SYSTEM

Oil Reservoir.....	4.1
Hydraulic Oil Filter & Cooler	4.2
Boom Lift Circuit	4.3
Radiator and Fan Assembly (UP To LQ001699).....	4.4 (A)
Radiator and Fan Assembly (LQ001700 Onward)	4.4(B)
Lift Cylinder	4.5
Bucket Tilt Circuit	4.6
Tilt Cylinder.....	4.7
Auxiliary Circuit with Accumulator	4.8(A)
Auxiliary Circuit w/o Accumulator.....	4.8(B)
Control Valve	4.9

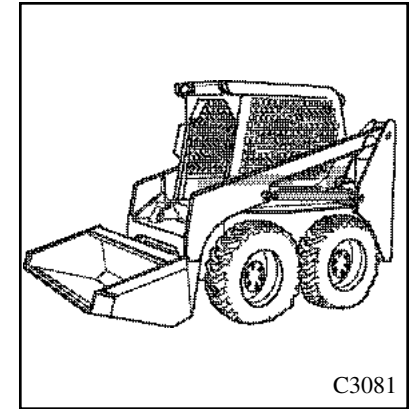
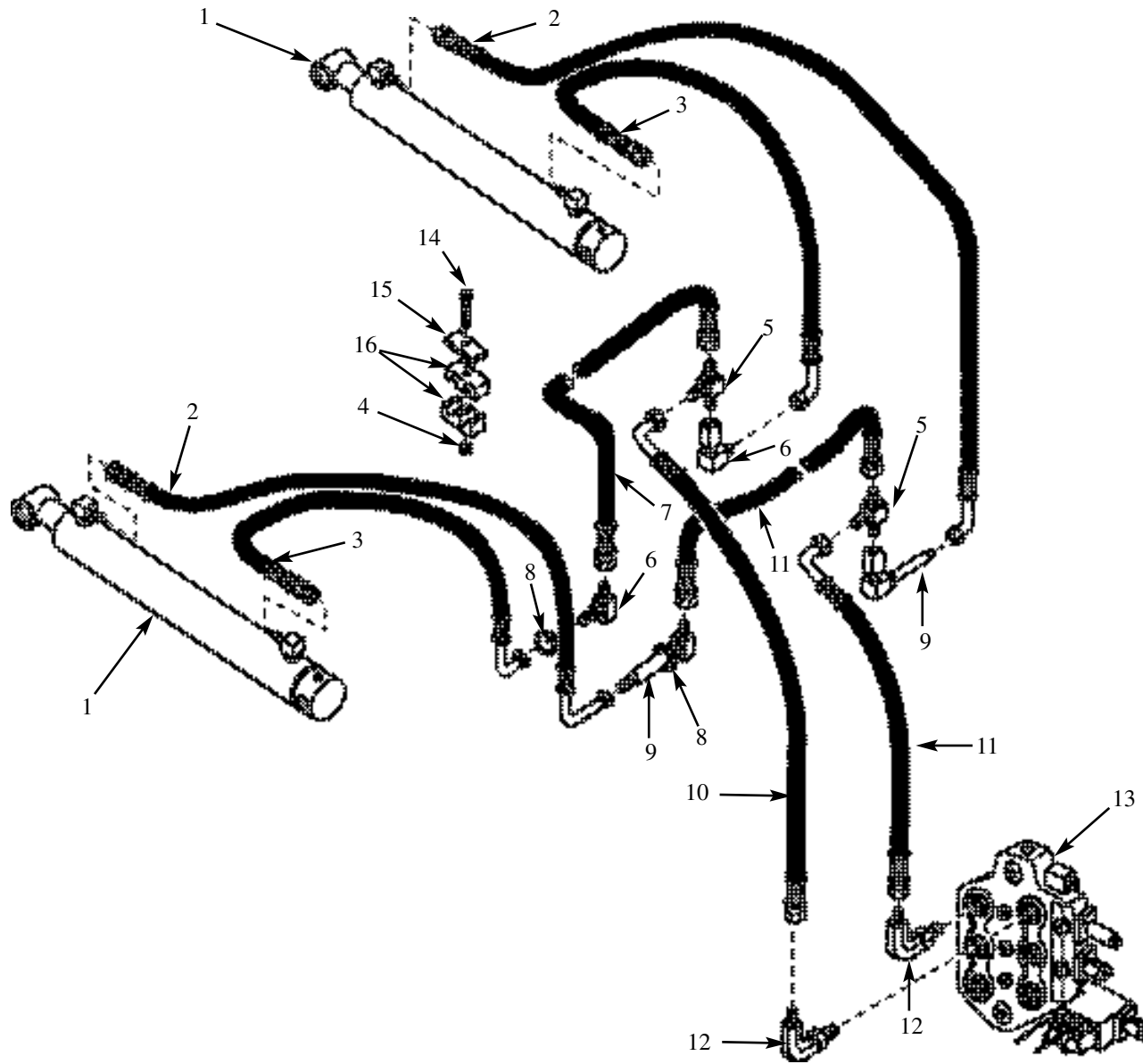


ITEM	PART	QTY	DESCRIPTION
1.	036733SP	1	Breather, Oil Filler (Up To LQ001699)
1.	026202SP	1	Breather, Pressurized Oil Filler (LQ001700 Onward)
2.	046774SP	1	Sheet, Top Baffle (Inside Tank)
3.	046775SP	1	Sheet, Bottom Baffle (Inside Tank)
*	001193SP	4	Bolts for Baffles
4.	034903SP	2	Elbow
5.	034919SP	2	Clamp, Circle Two Ear
6.	000698SP	1	Tube, Clear Vinyl
7.	032478SP	1	Magnet
8.	963853SP	1	Hose, Hydraulic (to charge pump)
9.	036849SP	1	Tee
10.	963851SP	1	Hose, Hydraulic (filter to tank)
11.	037206SP	1	Temperature Sender
12.	038652SP	1	Elbow, 90 Degree
13.	963847SP	1	Hose, Hydraulic (to gear pump)
14.	052414SP	1	Inspection Cover
*	046456SP	1	Gasket
15.	963854SP	1	Hose, Hydraulic (return from brake block)
16.	963852SP	1	Hose, Hydraulic (return from pump)
17.	019235SP	1	Elbow, 90 Degree
18.	021701SP	1	Elbow, 90 Degree
*	001642SP	4	Lock Washers for Baffle Bolts

HYDRAULIC OIL FILTER & COOLER



ITEM	PART	QTY	DESCRIPTION
1.	042556SP	1	Filter, Hyd. Assy (Includes #'s 2 & 3)
2.	035243SP	1	Filter Element
3.	042557SP	1	Head, Filter Hyd. Assy
4.	001643SP	4	Washer, Flat
5.	014866SP	2	Elbow
6.	963851SP	1	Hose
7.	966244SP	1	Hose
8.	052723SP	1	Cooler/Rad Ass'y
9.	008104SP	2	Connector
10.	966245SP	1	Hose
11.	001651SP	1	Rad Cap
12.	001193SP	4	Bolt
13.	001642SP	4	Washer, Lock



C3081

ITEM	PART	QTY	DESCRIPTION
1.	***	2	Lift cylinder, see section 4.5
2.	959630SP	2	Hose, lift cylinder front port to rear bulkhead
3.	959631SP	2	Hose, lift cylinder rear port to front bulkhead
4.	016771SP	2	Lock nut
5.	042322SP	2	Tee
6.	033831SP	2	Connector, Bulkhead 90° w/Nut
7.	962517SP	1	Hose, Bulkhead to Bulkhead
8.	043903SP	4	Washer, Lock Internal Tooth
9.	036336SP	2	Connector, Bulkhead 90°
10.	962646SP	2	Hose, valve rear port to front bulkhead
11.	962518SP	1	Hose, Bulkhead to Bulkhead Rear
12.	019232SP	2	Elbow, 90°
13.	***	1	Control valve, see section 4.9
14.	042625SP	2	Bolt
15.	042076SP	2	Cover plate
16.	043033SP	4	Clamp

ITEM	PART	QTY	DESCRIPTION				
				42.	042561SP	1	Filter, Fuel
				43.	000822SP	1	Kit, Tube, 3/16" Clear Vinyl
				44.	046987SP	1	Plate, Engine Mount Brace
1.	052723SP	1	Radiator	45.	001190SP	5	Bolt, Hex
2.	053595SP	1	Radiator Cap	46.	016771SP	4	Nut, Nylok, Hex
3.	018748SP	4	Clamp	47.	046918SP	8	Socket Screw
4.	026129SP	1	Hose, Radiator Top	48.	021557SP	7	Bolt
5.	047733SP	1	Gasket, Thermostat	49.	021558SP	15	Washer, Lock
6.	033149SP	1	Thermostat, Kubota	50.	015521SP	2	Clamp
7.	019573SP	1	Snap Pin	51.	008104SP	2	Fitting
8.	044746SP	4	Washer, Overload	52.	966245SP	1	Hose, Cooler To Valve
9.	044744SP	4	Isolator, Engine	53.	001193SP	6	Bolt, 3/8 x 1, Shroud To Rad.
10.	044745SP	4	Washer, Rebound	54.	021558SP	2	Flat Washer
11.	006816SP	4	Bolt, Hex	55.	026859SP	2	Bolt, M12 x 1.75 x 30 mm.
12.	965929SP	1	Mount, Engine Front LH Assy.				
13.	049722SP	1	Fan, Pusher				
14.	049620SP	1	Fan Belt				
15.	965936SP	1	Guard, Fan				
16.	001190SP	5	Bolt				
19.	001191SP	4	Nut				
20.	965909SP	1	Shroud, Fan				
21.	049486SP	1	Hose, Radiator Bottom				
25.	965930SP	1	Mount, Engine, Front RH Assy.				
26.	963765SP	2	Mount, Engine Rear Assy.				
27.	000876SP	1	Molding, Trim Seal				
28.	047983SP	1	Aternator Belt Guard				
29.	001651SP	1	Washer, Flat				
30.	001870SP	13	Washer, Lock				
31.	001191SP	13	Nut				
32.	042737SP	1	Reservoir, Coolant				
33.	034919SP	1	Clamp, Circle Two Ear				
34.	044184SP	1	Hose, 5/16 Black Neoprene				
35.	043558SP	3	Serrated Flange Nut				
36.	962371SP	1	Shield, Flywheel Assy.(LQ001500 To LQ001555)				
36.	053581SP	1	Engine Harness Bracket				
37.	041024SP	1	Loom Clamp				
38.	021557SP	2	Bolt, Hex				
39.	021558SP	2	Washer, Lock				
40.	033023SP	1	Filter, Engine Oil				
41.	033112SP	1	Pump, Fuel Assy.				

RADIATOR AND FAN ASSEMBLY (UP TO LQ001699)

4.4(A)

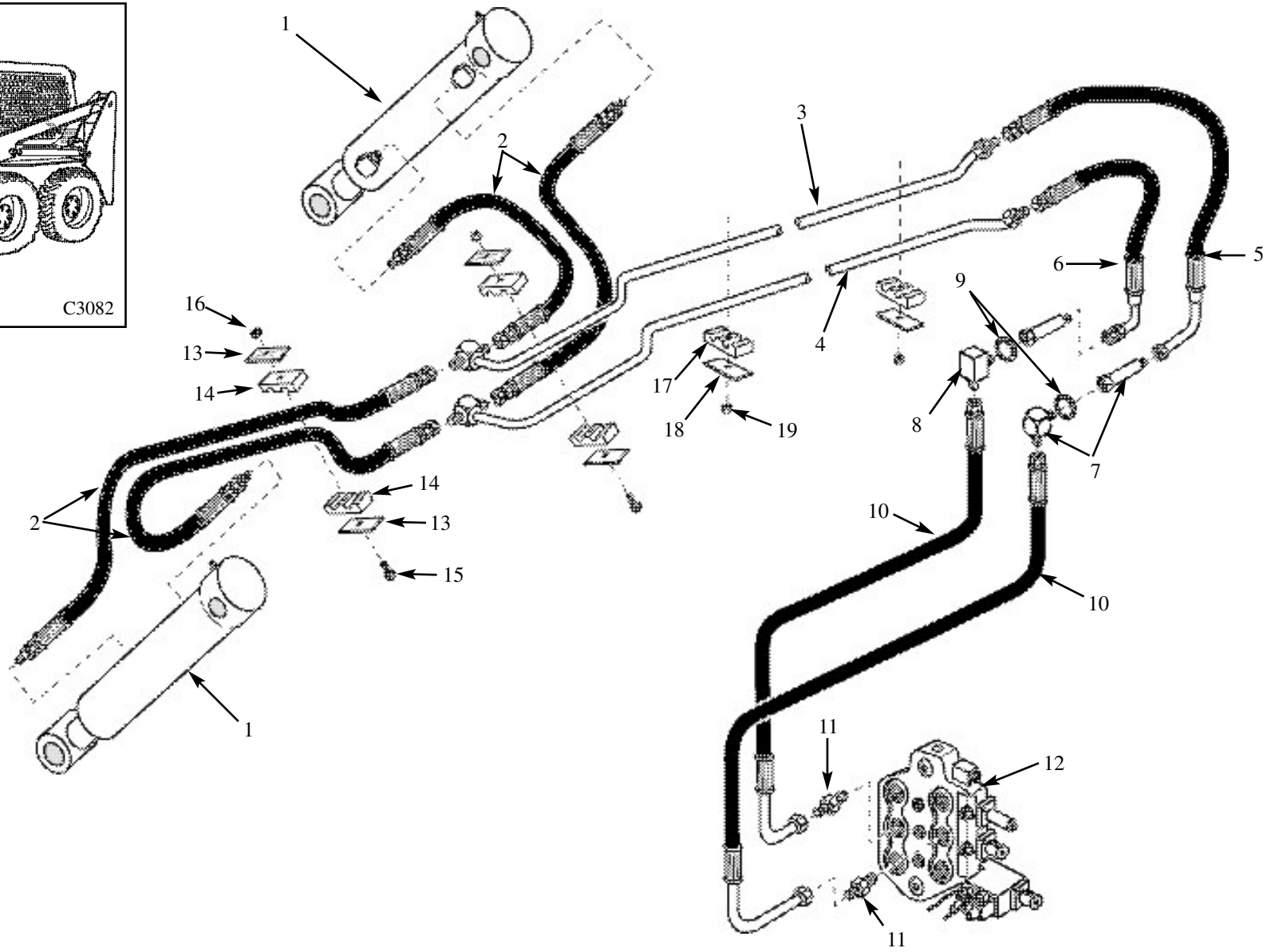
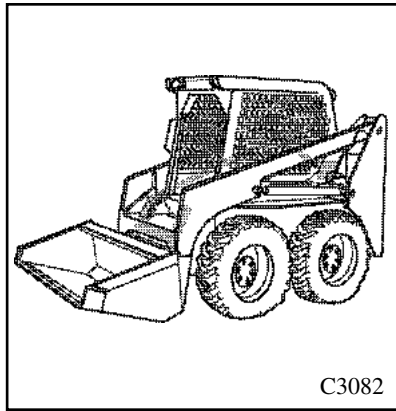
ITEM	PART	QTY	DESCRIPTION				
1.	052723SP	1	Radiator	44.	046987SP	1	Plate, Engine Mount Brace
2.	053595SP	1	Radiator Cap	45.	001190SP	5	Bolt, Hex
3.	018748SP	2	Clamp	46.	016771SP	4	Nut, Nylok, Hex
4.	026129SP	1	Hose, Radiator Top	47.	046918SP	8	Socket Screw
5.	047733SP	1	Gasket, Thermostat	48.	021557SP	7	Bolt
6.	033149SP	1	Thermostat, Kubota	49.	021558SP	15	Washer, Lock
7.	019573SP	1	Snap Pin	50.	015521SP	2	Clamp
8.	044746SP	4	Washer, Overload	51.	008104SP	2	Fitting
9.	044744SP	4	Isolator, Engine	52.	966244SP	1	Hose, From Valve To Cooler
10.	044745SP	4	Washer, Rebound	53.	001193SP	6	Bolt, 3/8 x 1, Shroud To Rad.
11.	006816SP	4	Bolt, Hex	54.	052719SP	2	Flat Washer
12.	966574SP	1	Mount, Engine Front LH Assy.	55.	042186SP	2	Bolt, M12 x 1.75 x 45 mm.
13.	049722SP	1	Fan, Pusher				
14.	052818SP	1	Fan Belt				
15.	965936SP	1	Guard, Fan				
16.	001190SP	5	Bolt				
19.	001191SP	4	Nut				
20.	965909SP	1	Shroud, Fan				
21.	049486SP	1	Hose, Radiator Bottom				
25.	966573SP	1	Mount, Engine, Front RH Assy.				
26.	963765SP	2	Mount, Engine Rear Assy.				
27.	000876SP	1	Molding, Trim Seal				
28.	047983SP	1	Aternator Belt Guard				
29.	001651SP	11	Washer, Flat				
30.	001870SP	13	Washer, Lock				
31.	001191SP	13	Nut				
32.	042737SP	1	Reservoir, Coolant				
33.	034919SP	1	Clamp, Circle Two Ear				
34.	044184SP	1	Hose, 5/16 Black Neoprene				
35.	043558SP	3	Serrated Flange Nut				
36.	053581SP	1	Engine Harness Bracket				
37.	041024SP	1	Loom Clamp				
38.	021557SP	2	Bolt, Hex				
39.	021558SP	2	Washer, Lock				
40.	033023SP	1	Filter, Engine Oil				
41.	033112SP	1	Pump, Fuel Assy.				
42.	042561SP	1	Filter, Fuel				
43.	000822SP	1	Kit, Tube, 3/16" Clear Vinyl				

RADIATOR AND FAN ASSEMBLY (LQ001700 Onward)

4.4(B)

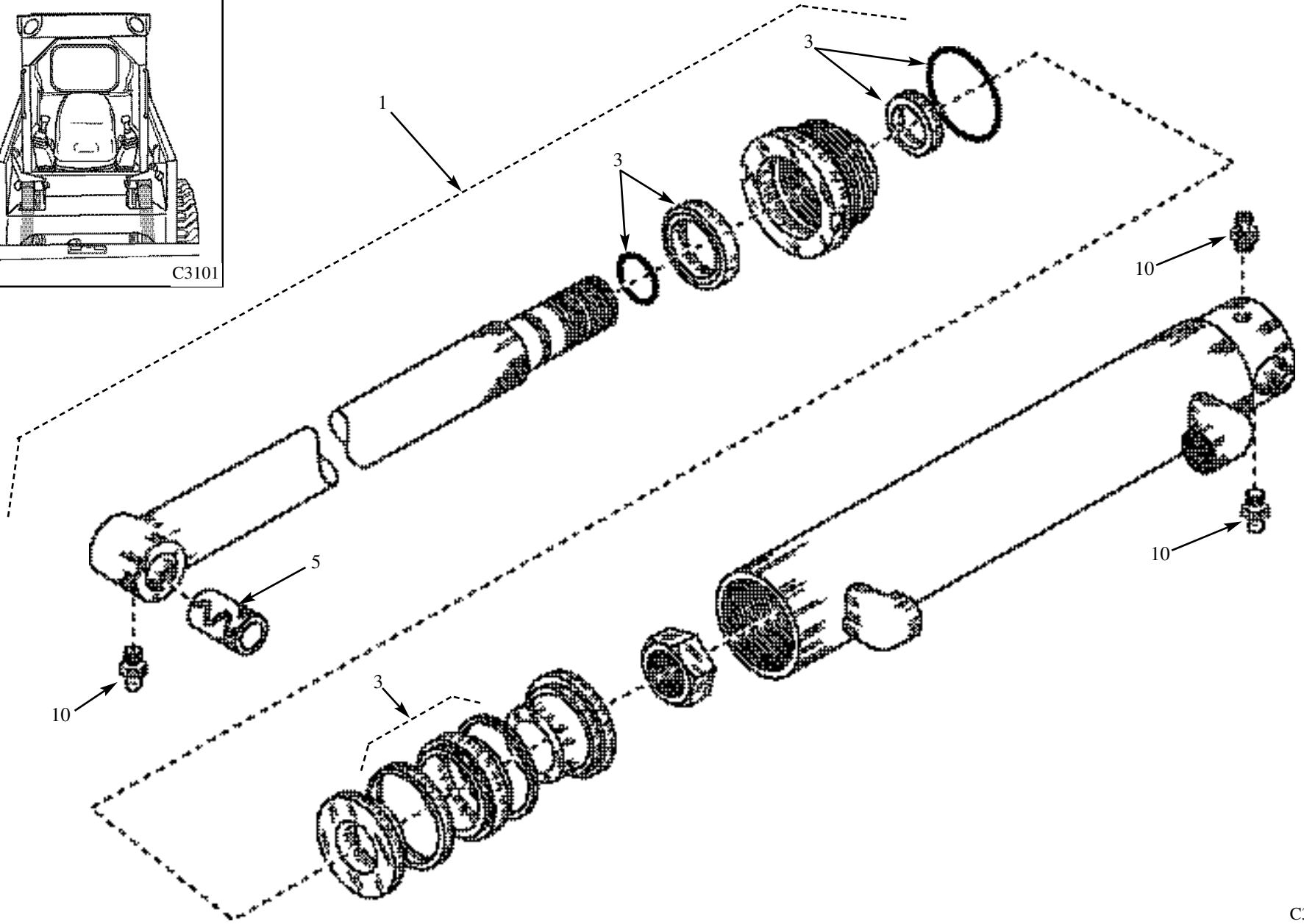
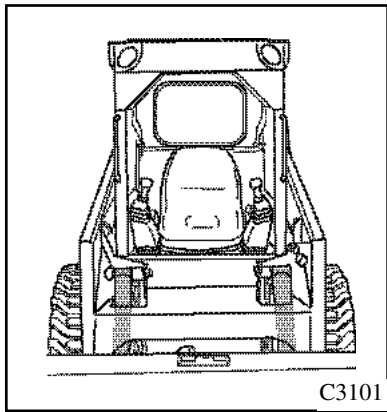
ITEM	PART	QTY	DESCRIPTION
1.	037792SP	2	Cylinder
2.	029875SP	1	Kit, Seal, Hydraulic Cylinder
3.	029860SP	1	Cap, Cylinder End
4.	029979SP	1	Piston, Part B
5.	029978SP	1	Piston, Part A
6.	006297SP	1	Nut, Cyl. Hex Shaft
7.	038589SP	1	Bushing, Hardened
8.	002010SP	1	Grease Fitting, Straight
9.	047566SP	1	Bushing, Hardened
10.	035451SP	1	Grease Fitting, 90°

BUCKET TILT CIRCUIT



ITEM	PART	QTY	DESCRIPTION
1.	*	2	Tilt Cylinder, See Section 4.7
2.	961499SP	4	Hose, Hydraulic
3.	042090SP	1	Tube, Hydraulic 5/8" (Tilt Tube, Outside)
4.	042091SP	1	Tube, Hydraulic 5/8" (Tilt Tube, Inside)
5.	961393SP	1	Hose, Hydraulic
6.	963231SP	1	Hose, Hydraulic
7.	036336SP	1	Connector, Bulkhead 90 Degree
8.	033831SP	1	Connector, Bulkhead 90 Degree (w/Nut)
9.	043903SP	2	Washer, Lock Int. Tooth
10.	962649SP	2	Hose, Hydraulic
11.	019226SP	2	Connector
12.	*	1	Control Valve, See Section 4.9
13.	042076SP	4	Plate, Cover Twin
14.	042061SP	4	Clamp, Twin 3/4" Tube
15.	001675SP	2	Bolt, Hex
16.	016771SP	2	Nut, Nylok, Hex
17.	038303SP	2	Clamp, Tube Twin 5/8"
18.	038472SP	2	Plate, Cover Twin
19.	007465SP	2	Nut, Nylok

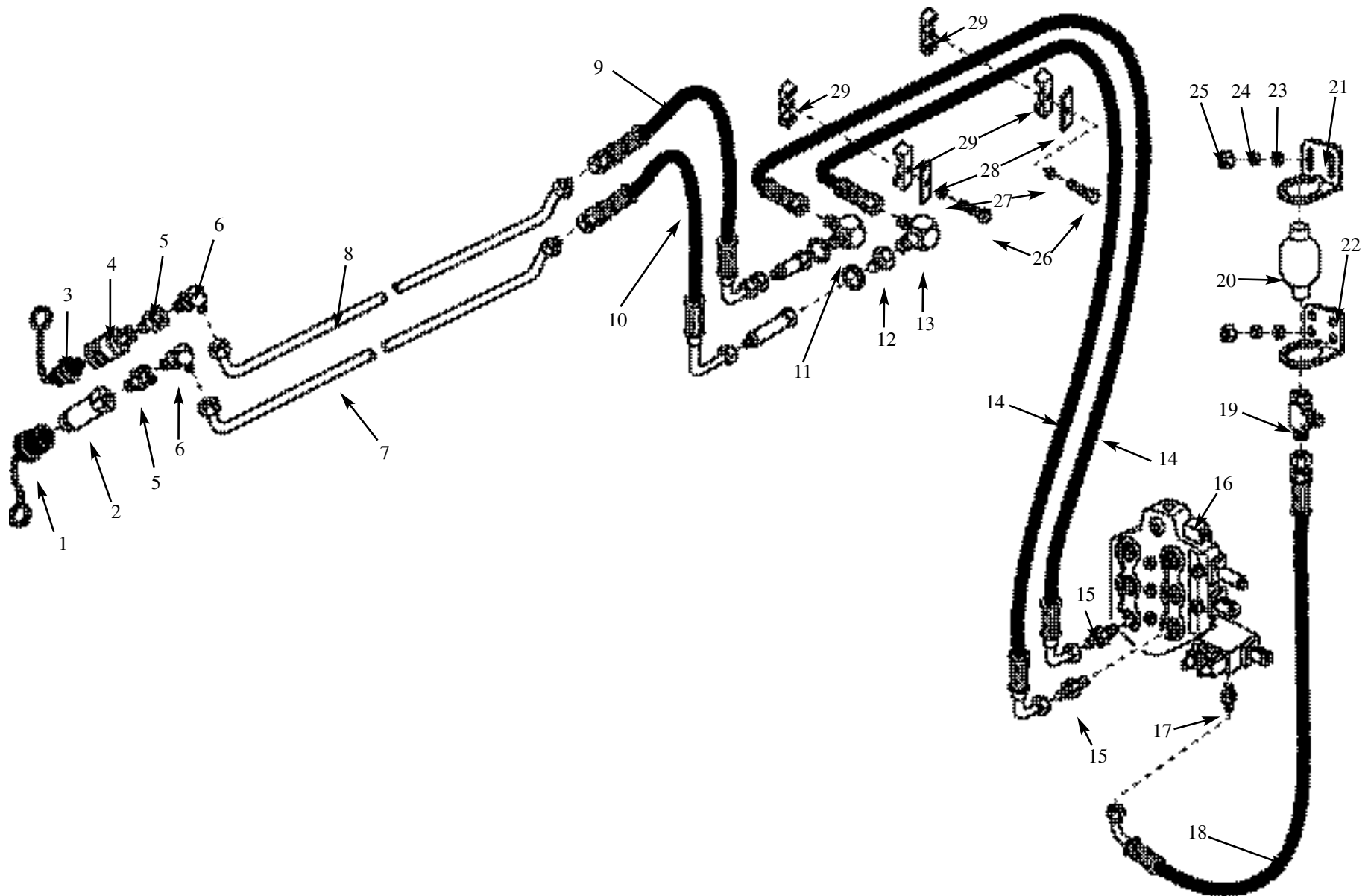
TILT CYLINDER



ITEM	PART	QTY	DESCRIPTION
1.	041420SP	2	Cylinder
3.	029875SP	1	Seal Kit, Hydraulic Cylinder
5.	038589SP	1	Hardened Bushing
10.	002010SP	3	Grease Fitting, Straight

AUXILIARY CIRCUIT (Up to LQ001374 non CE and LQ001576 CE)

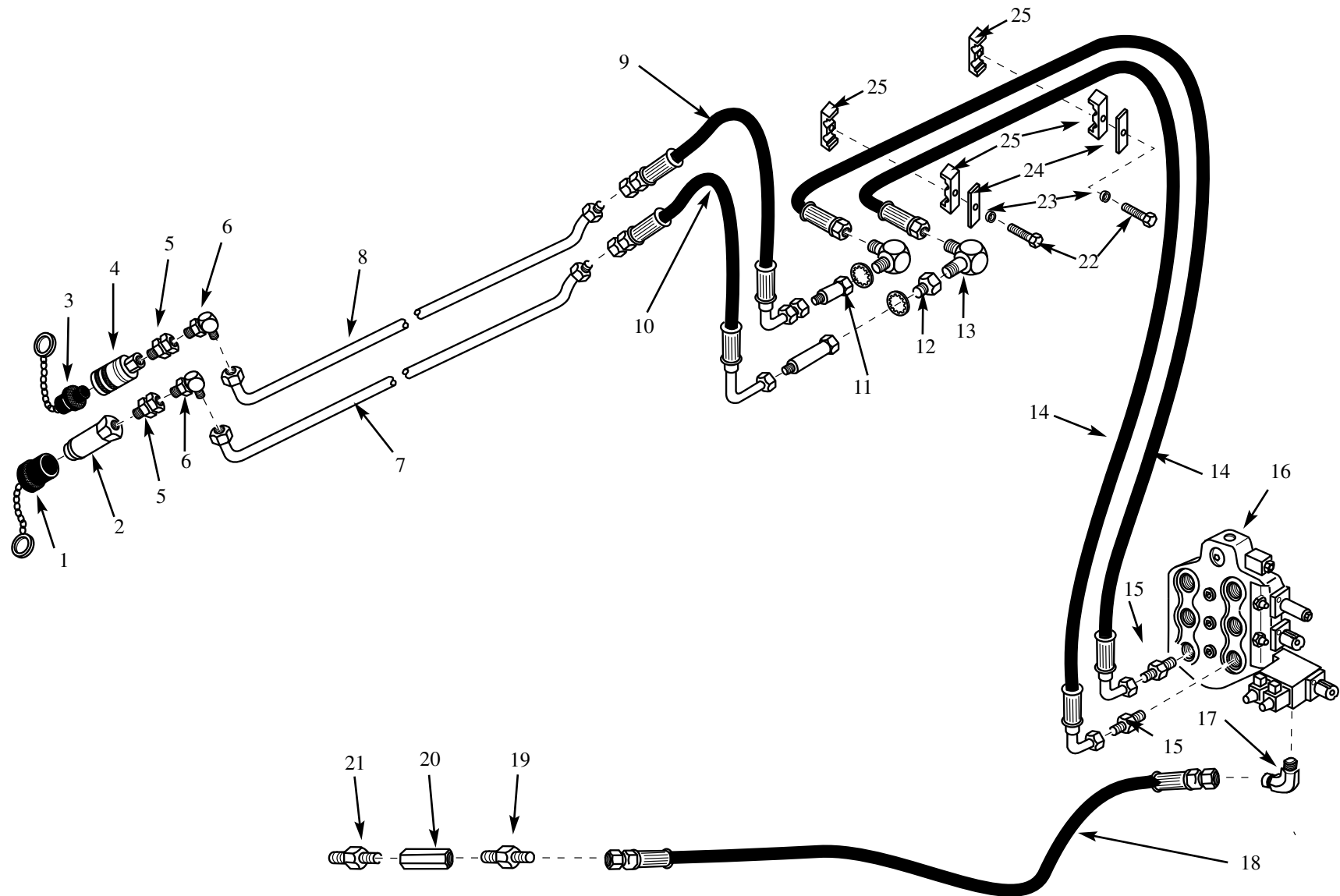
4.8(a)



ITEM	PART	QTY	DESCRIPTION
1.	052147SP	1	Dust Plug
2.	052146SP	1	Quick Coupler, Male
3.	052147SP	1	Dust Plug
4.	052145SP	1	Quick Coupler, Female
5.	029437SP	2	Connector, Bulkhead Straight
6.	022280SP	2	Elbow, 90 Degree Swivel
7.	042088SP	1	Tube, Hyd. (Outside Auxiliary)
8.	042089SP	1	Tube, Hyd. (Inside Auxiliary)
9.	963231SP	1	Hose, Hyd. (Inside to Front Bulkhead)
10.	961393SP	1	Hose, Hyd. (Outside to Rear Bulkhead)
11.	033831SP	1	Connector, Bulkhead 90 Degree
12.	036337SP	1	Connector, Bulkhead Straight
13.	022280SP	1	Elbow, 90 Degree
14.	963843SP	2	Hose, Hyd. (Valve to Bulkhead)
15.	019226SP	2	Connector, Straight
16.	*	1	Control Valve (See Section 4.9)
17.	036853SP	1	Connector, Straight
18.	963844SP	1	Hose, Hyd., Valve to Accumulator
19.	026641SP	1	Tee, Run
20.	966393SP	1	Kit, Accumulator
21.	046165SP	1	Mount, Accumulator Top
22.	046166SP	1	Mount, Accumulator Bottom
23.	001651SP	4	Washer
24.	001870SP	4	Lock Washer
25.	001191SP	4	Nut
26.	042625SP	2	Bolt
27.	016771SP	2	Nut, Nylok
28.	038472SP	2	Plate, Cover
29.	038303SP	4	Clamp, Tube
*	014868SP	1	Tee To Accumulator

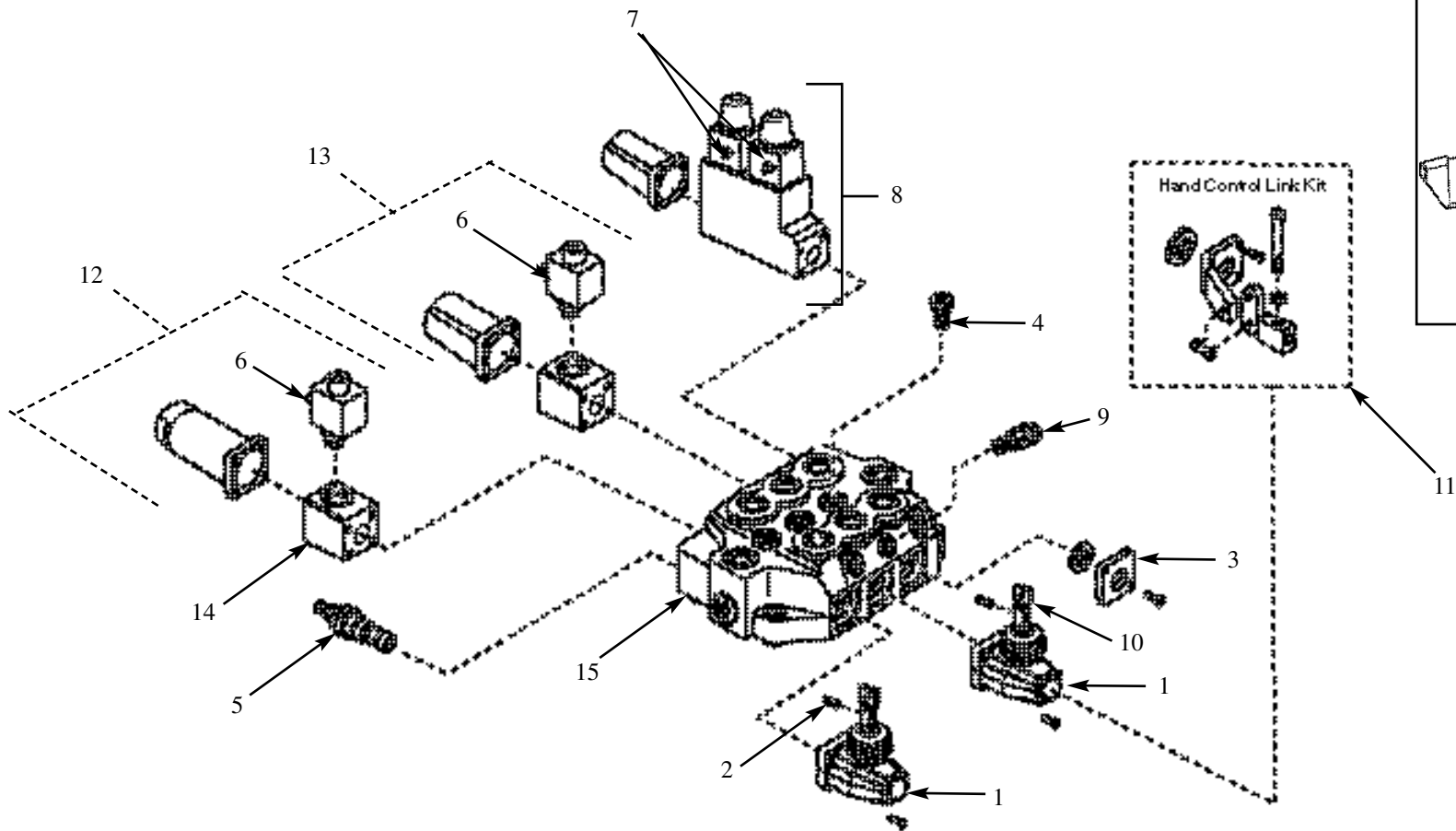
AUXILIARY CIRCUIT (LQ001375 Non CE AND LQ001577 CE Onward)

4.8(b)



ITEM	PART	QTY	DESCRIPTION
1.	052147SP	1	Dust Plug
2.	052146SP	1	Quick Coupler, Male
3.	052147SP	1	Dust Plug
4.	052145SP	1	Quick Coupler, Female
5.	029437SP	2	Connector, Bulkhead Straight
6.	022280SP	2	Elbow, 90 Degree Swivel
7.	042088SP	1	Tube, Hyd. (Outside Auxiliary)
8.	042089SP	1	Tube, Hyd. (Inside Auxiliary)
9.	963231SP	1	Hose, Hyd. (Inside to Front Bulkhead)
10.	961393SP	1	Hose, Hyd. (Outside to Rear Bulkhead)
11.	033831SP	1	Connector, Bulkhead 90 Degree
12.	036337SP	1	Connector, Bulkhead Straight
13.	022280SP	1	Elbow, 90 Degree
14.	963843SP	2	Hose, Hyd. (Valve to Bulkhead)
15.	019226SP	2	Connector, Straight
16.	*	1	Control Valve (See Section 4.9)
17.	053606SP	1	Elbow (LQ001375 non CE Onward and LQ001577 CE Onward)
18.	966500SP	1	Hose, Hyd, Control Valve to Check Valve (LQ001375 non CE Onward and LQ001577 CE Onward) Hose is routed below valve LQ002000 Onward
19.	019238SP	1	Fitting (LQ001375non CE Onward and LQ001576 CE Onward)
20.	026289SP	1	Check Valve
21.	021121SP	1	Fitting, check valve inlet
22.	042625SP	2	Bolt
23.	016771SP	2	Nut, Nylok
24.	038472SP	2	Plate, Cover
25.	038303SP	4	Clamp, Tube

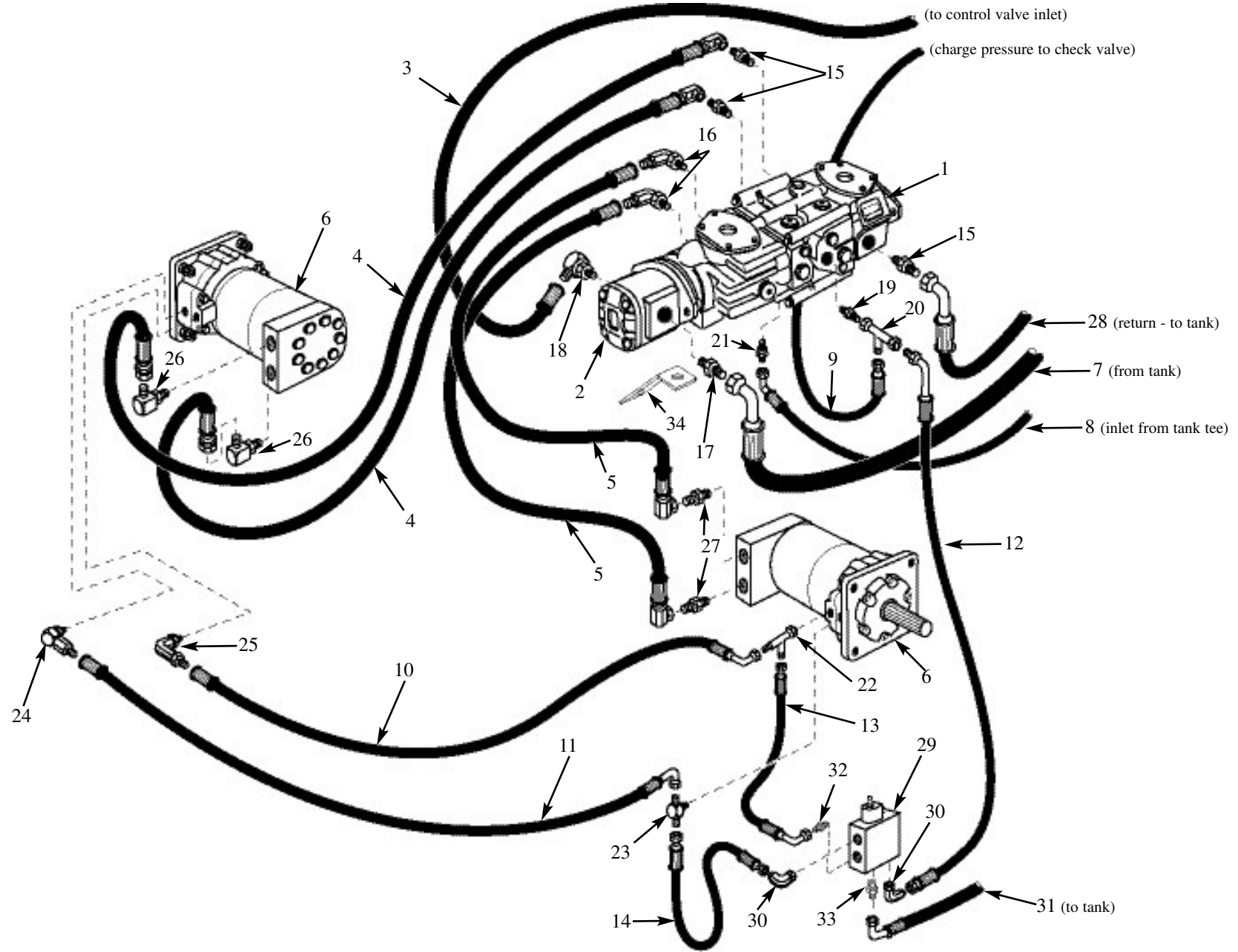
CONTROL VALVE



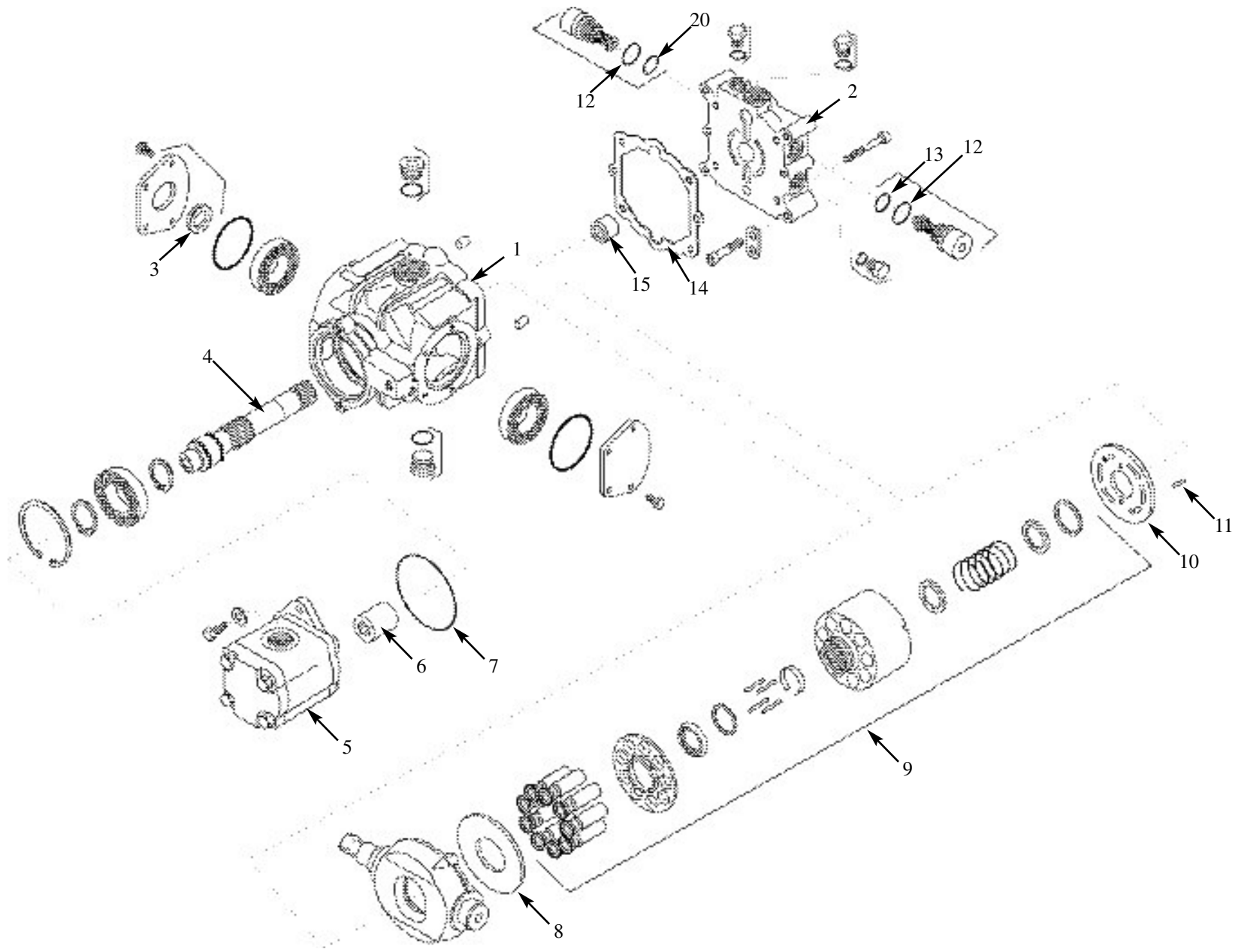
ITEM	PART	QTY	DESCRIPTION
1.	044935SP	2	Control Box
2.	044473SP	2	Set Screws
3.	044936SP	1	Kit, Dust Cap Assy.
4.	043722SP	3	Check Valve
5.	049078SP	1	Valve, Main Relief
6.	049083SP	2	Coil, Lock Solenoid
7.	052889SP	2	Coil, Auxiliary Solenoid
8.	049079SP	1	Auxiliary Control with Coils
9.	047435SP	1	Valve, Port Relief
10.	044299SP	2	Bar
11.	044937SP	1	Kit, Dust Cap w/Connector for Hand Control (Optional)
12.	049081SP	1	Kit, Lift Circuit With Out Spool
13.	049080SP	1	Kit, Tilt Circuit With Out Spool
14.	052076SP	1	Lock Assembly, Spool
15.	046883SP	1	Control Valve

5. HYDROSTATIC DRIVE SYSTEM

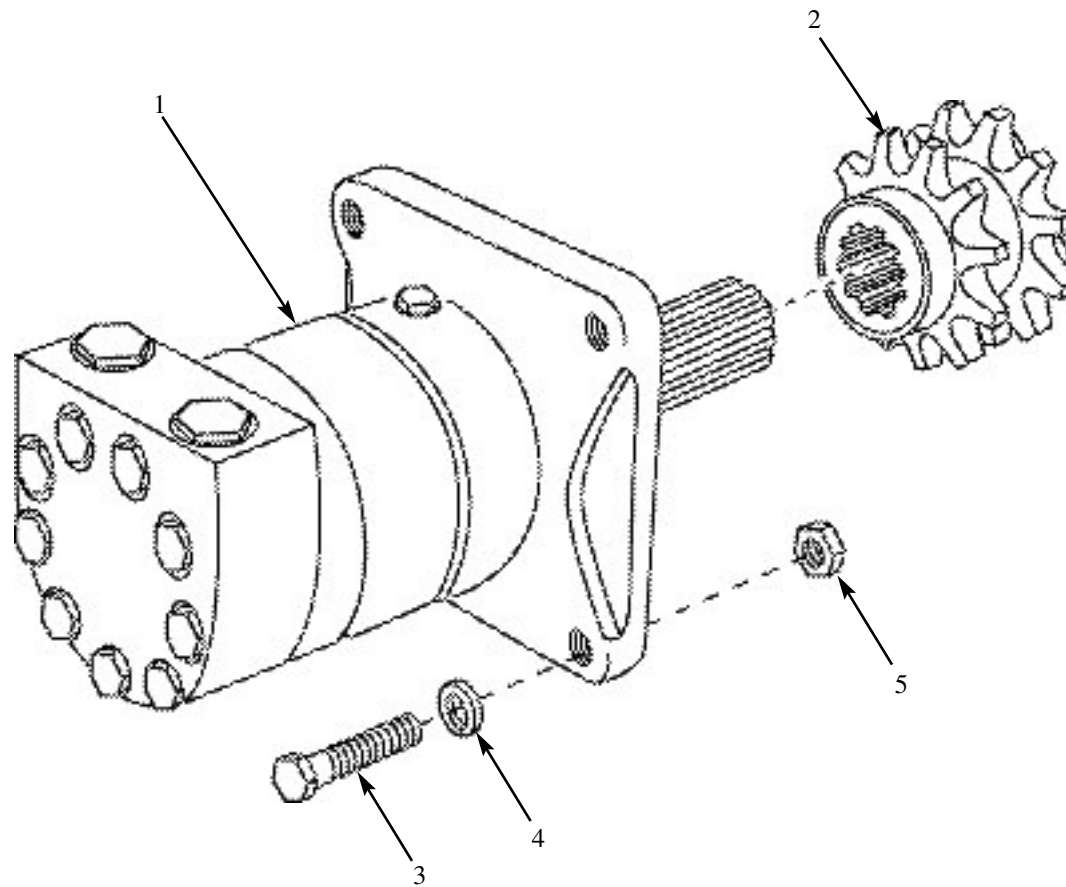
Hydrostatic Drive Circuit	5.1
Hydrostatic Tandem Pump	5.2
Torque Motor	5.3
Brake Valve	5.4



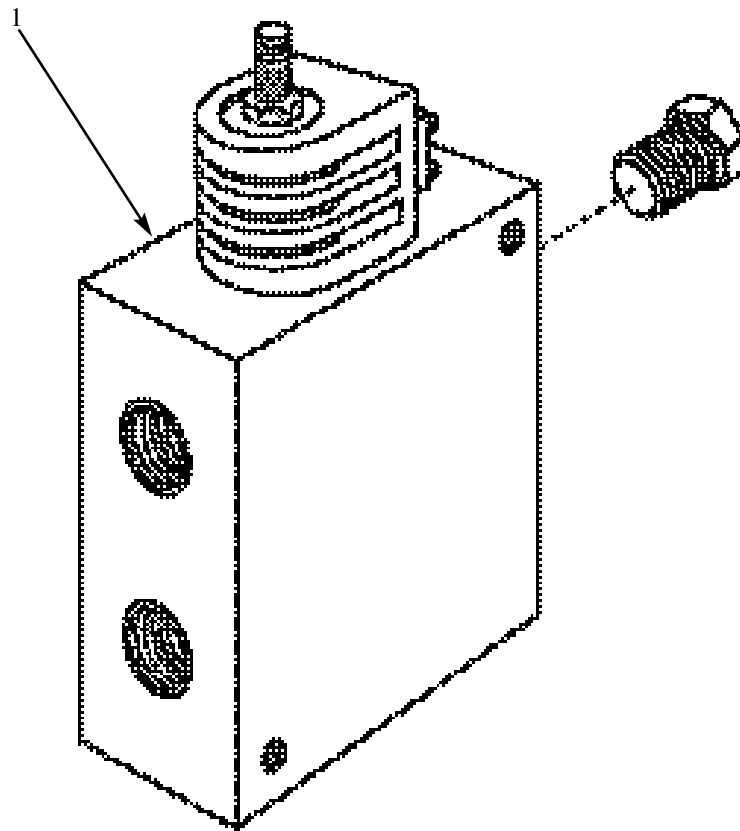
ITEM	PART	QTY	DESCRIPTION
1.	049728SP	1	Hydrostatic Tandem Pump
2.	049988SP	1	Gear Pump
3.	963850SP	1	Hose, Hydraulic (to valve)
4.	965939SP	2	Hose, Hydraulic
5.	965984SP	2	Hose, Hydraulic
6.	049476SP	2	Torque Motor
7.	963847SP	1	Hose, Hydraulic (from tank)
8.	963853SP	1	Hose, Hydraulic (from tank)
9.	963859SP	1	Hose, Hydraulic (to check valve)UP to LQ001999
9.	961313SP	1	Hose, Hydraulic, (to check valve)LQ002000 Onward
10.	963855SP	1	Hose, Hydraulic
11.	963857SP	1	Hose, Hydraulic
12.	963860SP	1	Hose, Hydraulic
13.	963856SP	1	Hose, Hydraulic
14.	963858SP	1	Hose, Hydraulic
15.	014867SP	3	Connector
16.	014866SP	2	Elbow
17.	033882SP	1	Connector
18.	025011SP	1	Elbow
19.	026008SP	1	Connector
20.	038389SP	1	Tee
21.	008104SP	1	Connector
22.	043146SP	1	Tee
23.	043189SP	1	Tee
24.	036855SP	1	Elbow
25.	036713SP	1	Elbow
26.	014866SP	2	Elbow
27.	014867SP	2	Connector
28.	963852SP	1	Hose, Hydraulic (to tank)
29.	046913SP	1	Brake Valve
30.	021128SP	2	Elbow
31.	963854SP	1	Hose, Hydraulic (to tank)
32.	021121SP	1	Connector
33.	019238SP	1	Connector
34.	047071SP	1	Plate, Pump Support (Up To LQ001699)
34.	053712SP	1	Plate, Pump Support (LQ001700 Onward)



ITEM	PART	QTY	DESCRIPTION
1.	049728SP	1	Tandem Pump
2.	049988SP	1	Gear Pump
3.	047945SP	1	Seal Kit
4.	044136SP	4	Relief Valve
5.	043493SP	1	Gear Pump O-Ring
6.	043170SP	1	Coupling

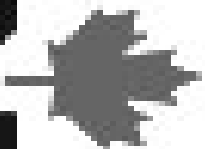


ITEM	PART	QTY	DESCRIPTION
1.	049476SP	2	Torque Motor
2.	046799SP	2	Sprocket, 10T 100 DS
3.	006869SP	8	Bolt, Hex
4.	001647SP	8	Washer, Lock
5.	025091SP	16	Nut, Hex (double nut)



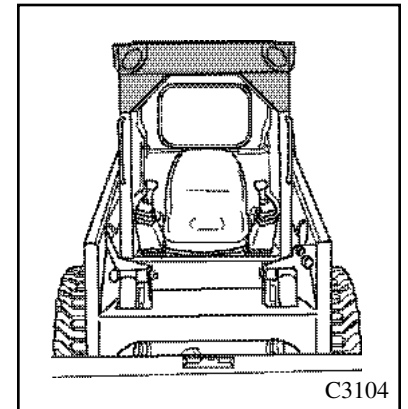
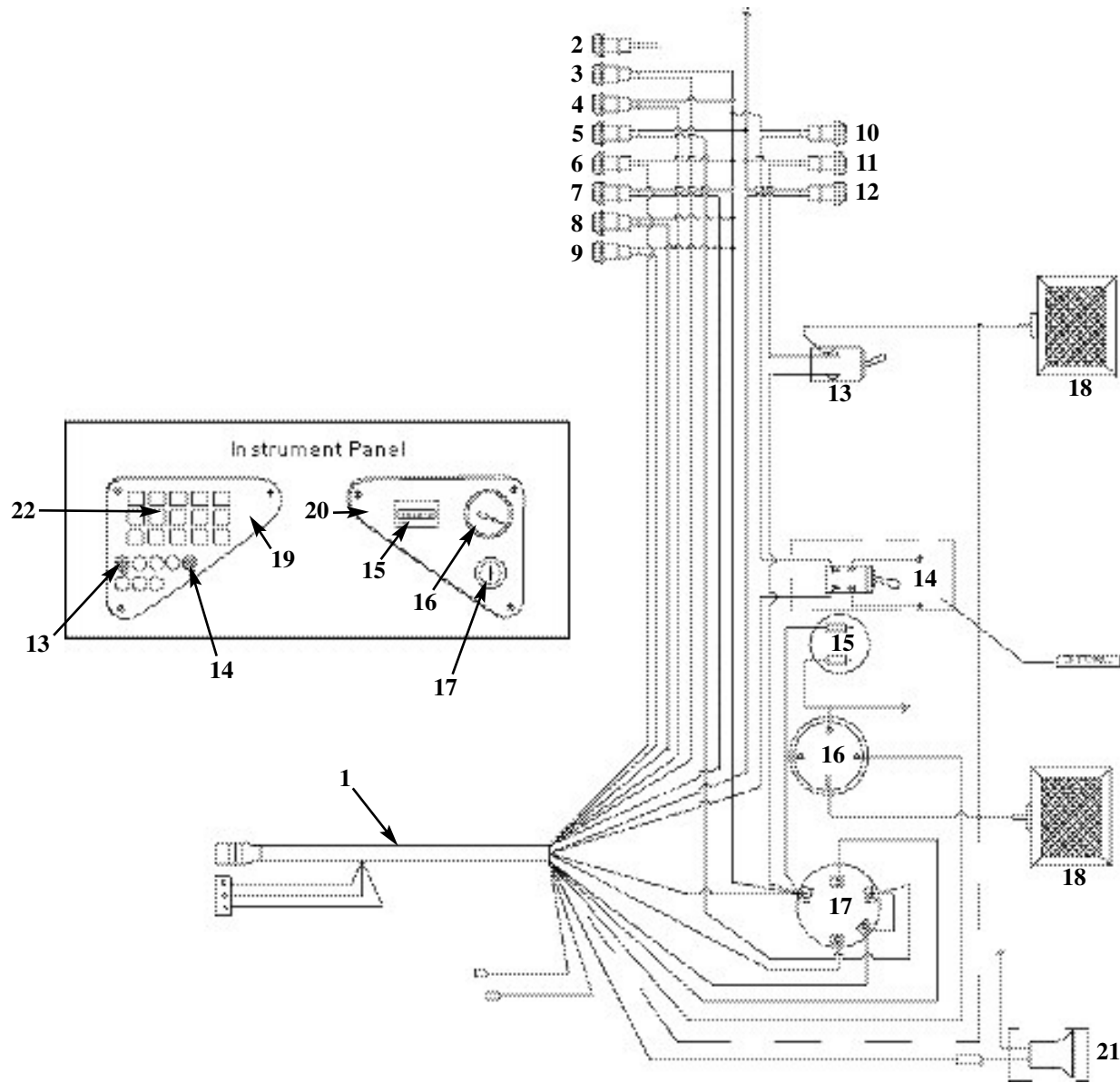
ITEM	PART	QTY	DESCRIPTION
1.	046913SP	1	Brake Valve (2 position, 4 way with check, manual override)

STANLEY
®



6. ELECTRICAL SYSTEM

Electrical Wiring, ROPS.....	6.1
Electrical Wiring, Engine	6.2

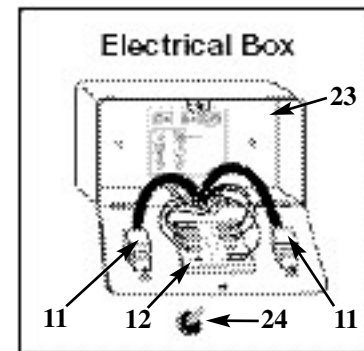
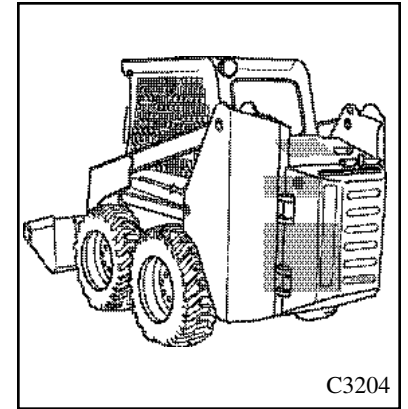
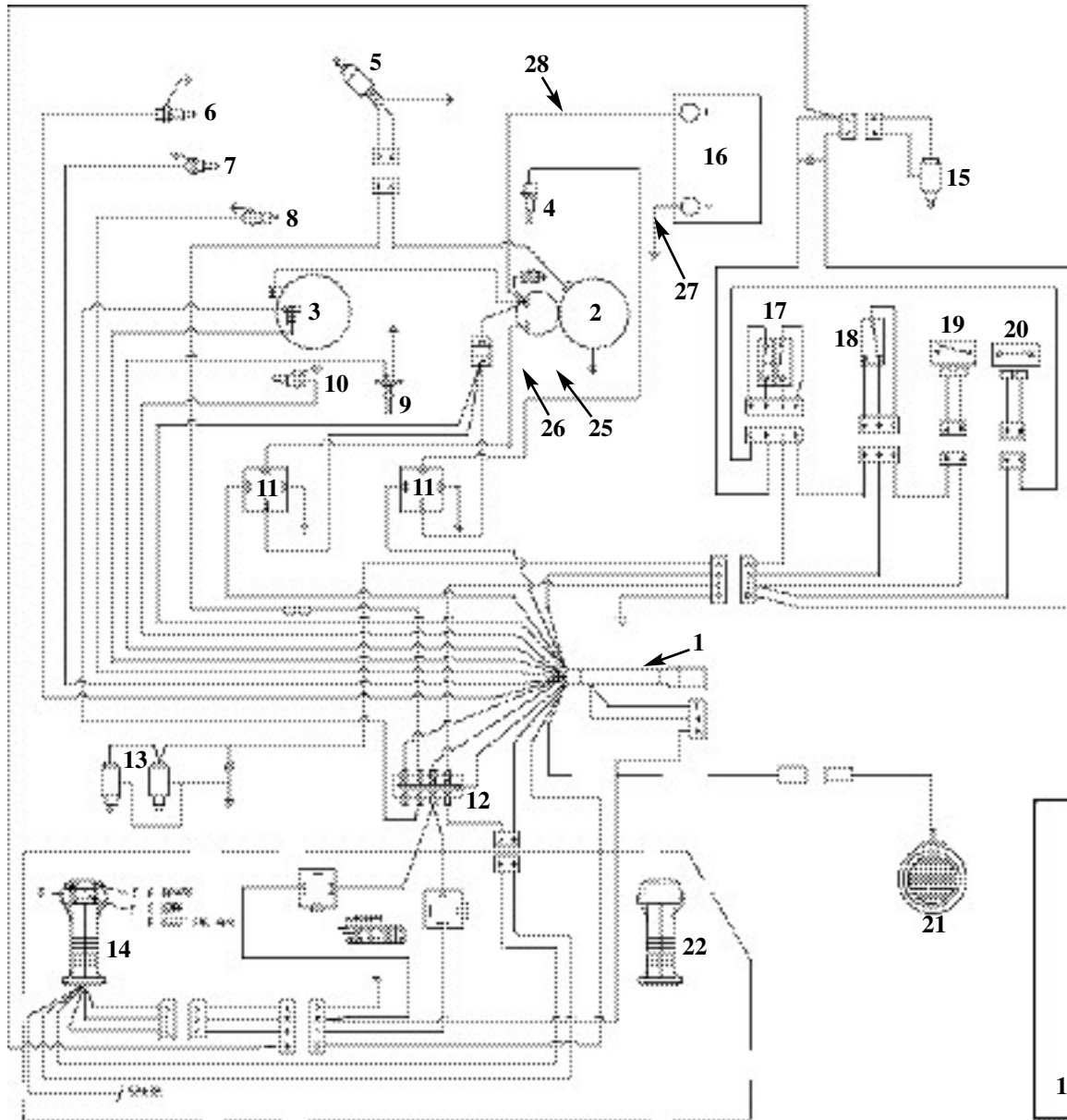


ITEM	PART	QTY	DESCRIPTION
1.	052429SP	1	Electrical Harness, ROPS
2.	039972SP	1	Indicator Light, Low Charge Pressure
3.	039972SP	1	Indicator Light, Brake
4.	039972SP	1	Indicator Light, Battery
5.	039972SP	1	Indicator Light, Preheat
6.	039972SP	1	Indicator Light, Air Filter
7.	039972SP	1	Indicator Light, Hyd. Oil Temperature
8.	039972SP	1	Indicator Light, Coolant Temperature
9.	039972SP	1	Indicator Light, Engine Oil Pressure
10.	039972SP	1	Indicator Light, Auxiliary Hydraulics
11.	039972SP	1	Indicator Light, Lights Dipped Low Beam
12.	039972SP	1	Indicator Light, Seat Belt
13.	039123SP	1	Switch, Toggle SPST (Headlights)
14.	039124SP	1	Switch, Toggle DPST (Auxiliary Control)
15.	038761SP	1	Hour Meter
16.	038577SP	1	Fuel Gauge
17.	044961SP	1	Ignition Switch
18.	046836SP	2	Lamp, Oval (Front Work Light) (Up To LQ001385 and Up To LQ001609 for CE loaders)
18.	047468SP	2	Lamp, Halogen (LQ001386 Onward and LQ001610 Onward for CE loaders)
19.	046686SP	1	Panel, LH Instrument Assy.
20.	038794SP	1	Panel, RH Instrument Assy.
21.	040918SP	1	Horn, Fast Sounding Alarm (Optional)
22.	039972SP	1	Indicator Bulb Panel
*	046831SP	1	Harness, Wire Oval Lamp
*	963682SP	1	Oval Light Mounting Bracket Assy, RH
*	963681SP	1	Oval Light Mounting Bracket Assy, LH

Harness Clamps

*	042433SP	1	Clamp, Cable #8
*	042435SP	5	Clamp, Cable #12
*	042442SP	1	Clamp, Cable #18

* Items not shown.



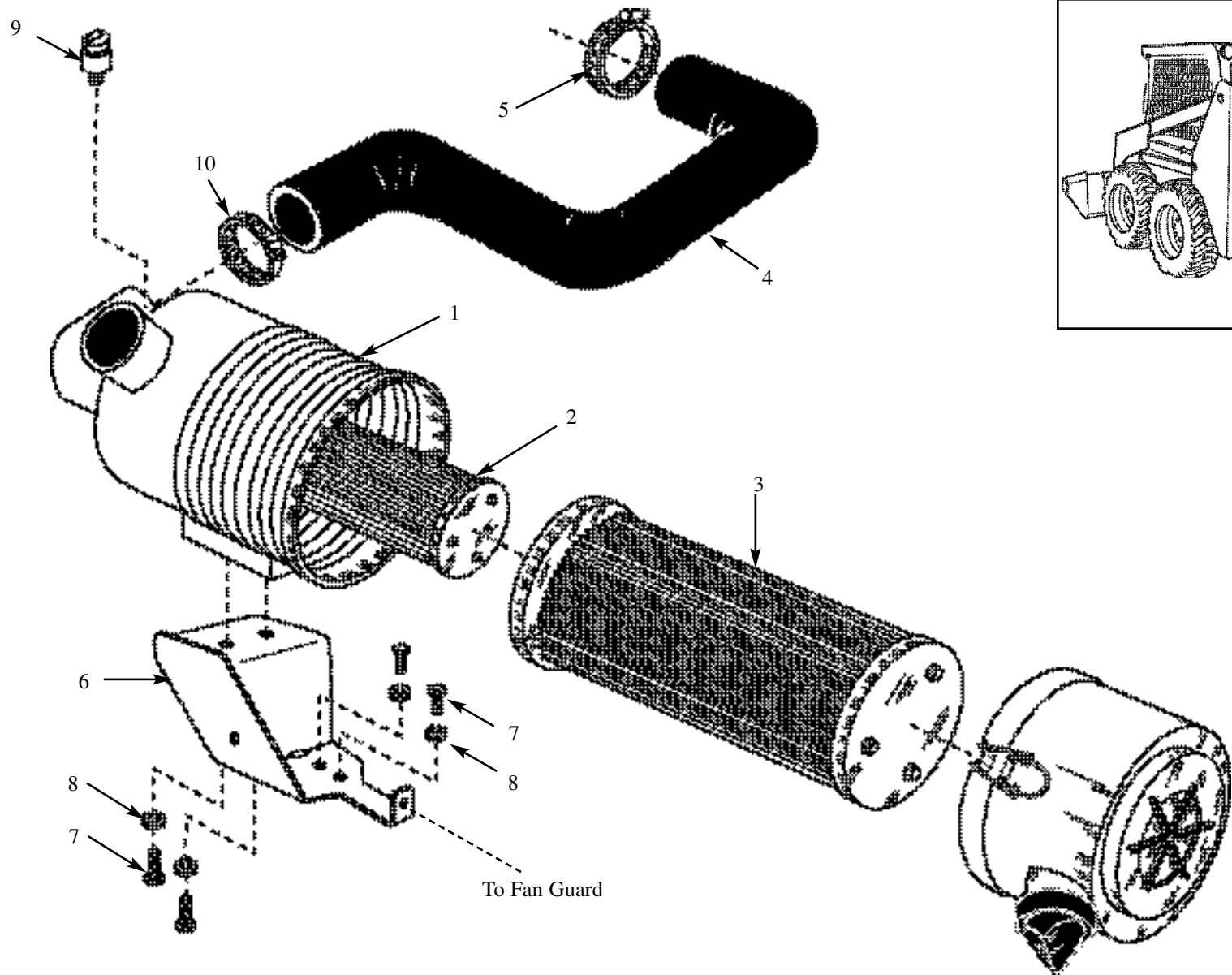
ITEM	PART	QTY	DESCRIPTION
1.	052448SP	1	Harness, Engine Wire
2.	033073SP	1	Starter, Engine V2003E2B
3.	042604SP	1	Alternator
4.	035536SP	4	Glow Plug
5.	052755SP	1	Solenoid, Engine Shut-Off
6.	038855SP	1	Indicator, Service Electrical (Air)
7.	037206SP	1	Switch, Temperature Sender (Hyd. Oil Temp.)
8.	018724SP	1	Switch, Oil (Engine Oil Pressure)
9.	043744SP	1	Sender, Fuel Level
10.	037206SP	1	Switch, Temperature Sender (Water Temp.)
11.	039840SP	2	Relay
12.	039540SP	1	Panel, Fuse & Circuit Breaker
*	039121SP	1	Fuse, Automotive, 15Amp (5 per pack)
*	039122SP	3	Fuse, Automotive, 10Amp (5 per pack)
13.	-	1	Control Valve (See section 4.9)
14.	044182SP	1	Handle, Erg. w/Rocker & 2PB Switches
15.	046913SP	1	Brake Valve
16.	038870SP	1	Battery
17.	042950SP	1	Switch, Dual c/w Bracket (Restraint Bar Switch)
18.	961372SP	1	Seat Belt w/Switch (2" Standard Up To LQ001699)
	963406SP	1	Seat Belt w/Switch (3" Option)
	964285SP	1	Seat Belt w/Switch (LQ001700 Onward)
19.	038516SP	1	Switch, Seat
20.	042951SP	1	Switch, Contact Body Assy. (Stop Button)
*	044305SP	1	Button, Turn to Release, Red
21.	029971SP	1	Rear Work Light
22.	044181SP	1	Handle, Ergonomic, Plain
23.	961693SP	1	Box, Electrical Assy.
24.	041791SP	1	Knob, Black w/Brass Insert
25.	037104SP	1	Lug, External Boosting
26.	039910SP	1	Cable, Positive 25"
*	039921SP	1	Insulator, Terminal Cover
27.	038871SP	1	Cable, Ground (Battery)
28.	053053SP	1	Cable, Positive 48"
*	043081SP	1	Harness, Mainframe
*	047336SP	1	Harness, Homologation (CE only)

7. ENGINE EQUIPMENT

Air Cleaner (Up To LQ001699).....	7.1 (A)
Air Cleaner (LQ001700 Onward)	7.1 (B)
Exhaust System.....	7.2
Engine and Accessories (Up To LQ001699)	7.3(A)
Engine and Accessories (LQ001700 Onward)	7.3(B)
Universal Joint	7.4

AIR CLEANER (Up To LQ001699)

7.1 (A)

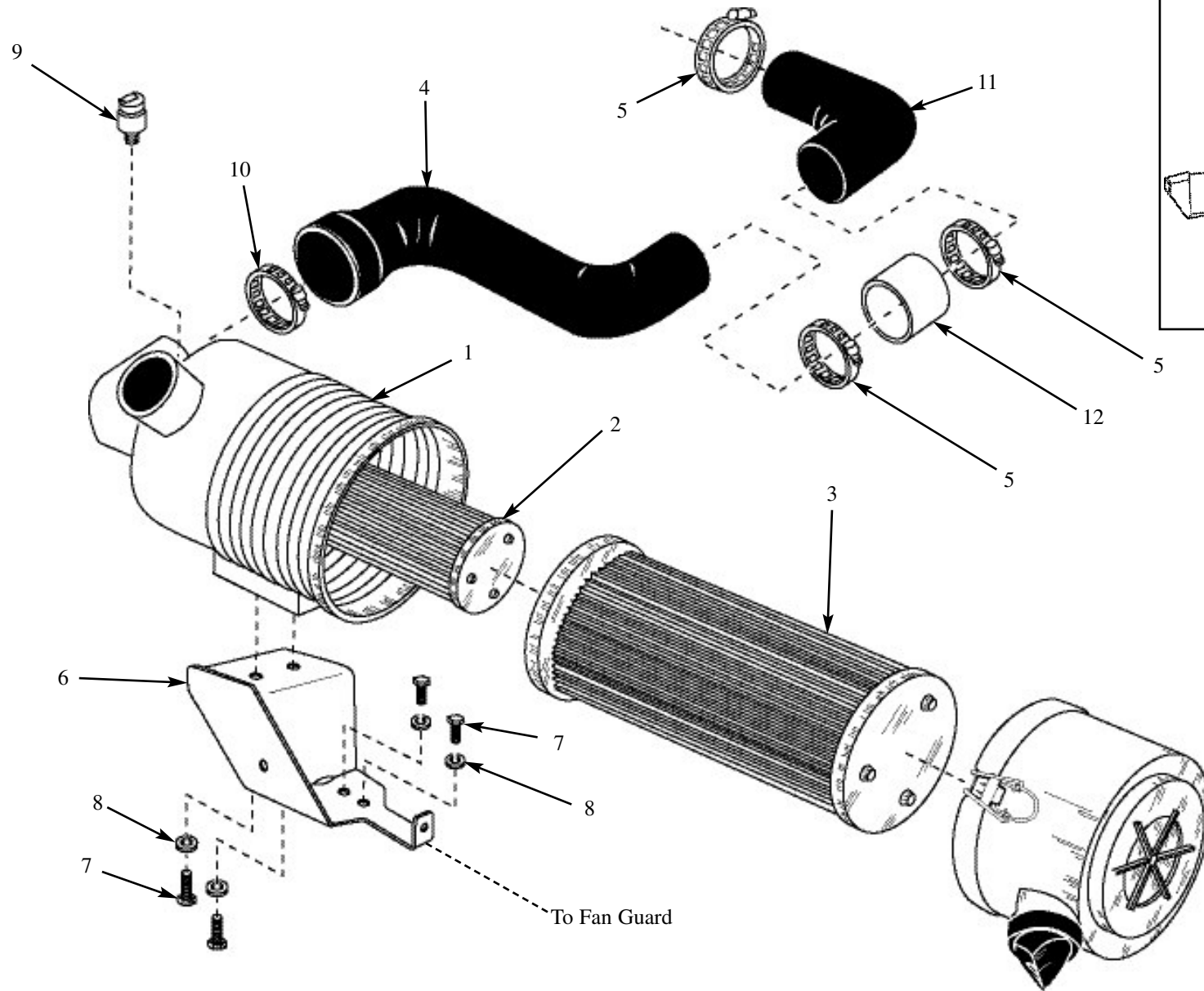


C3210

ITEM	PART	QTY	DESCRIPTION
1.	046914SP	1	Air Cleaner Assy.
2.	047741SP	1	Element, Filter Safety
3.	047742SP	1	Element, Filter Primary
4.	046896SP	1	Hose, Molded Air Intake
5.	006268SP	1	Clamp, Hose #32
6.	965940SP	1	Air Cleaner Mount (Up To LQ001699)
7.	021554SP	4	Bolt
8.	044319SP	4	Washer
9.	038855SP	1	Indicator, Service Electrical
10.	012117SP	1	Clamp, Hose #40

AIR CLEANER (LQ001700 Onward)

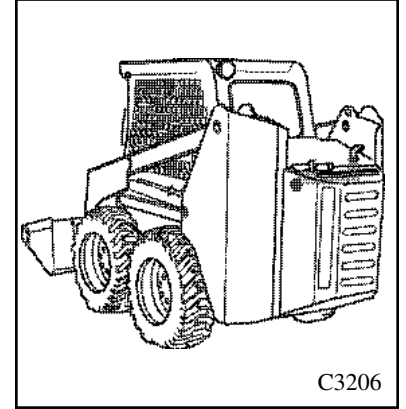
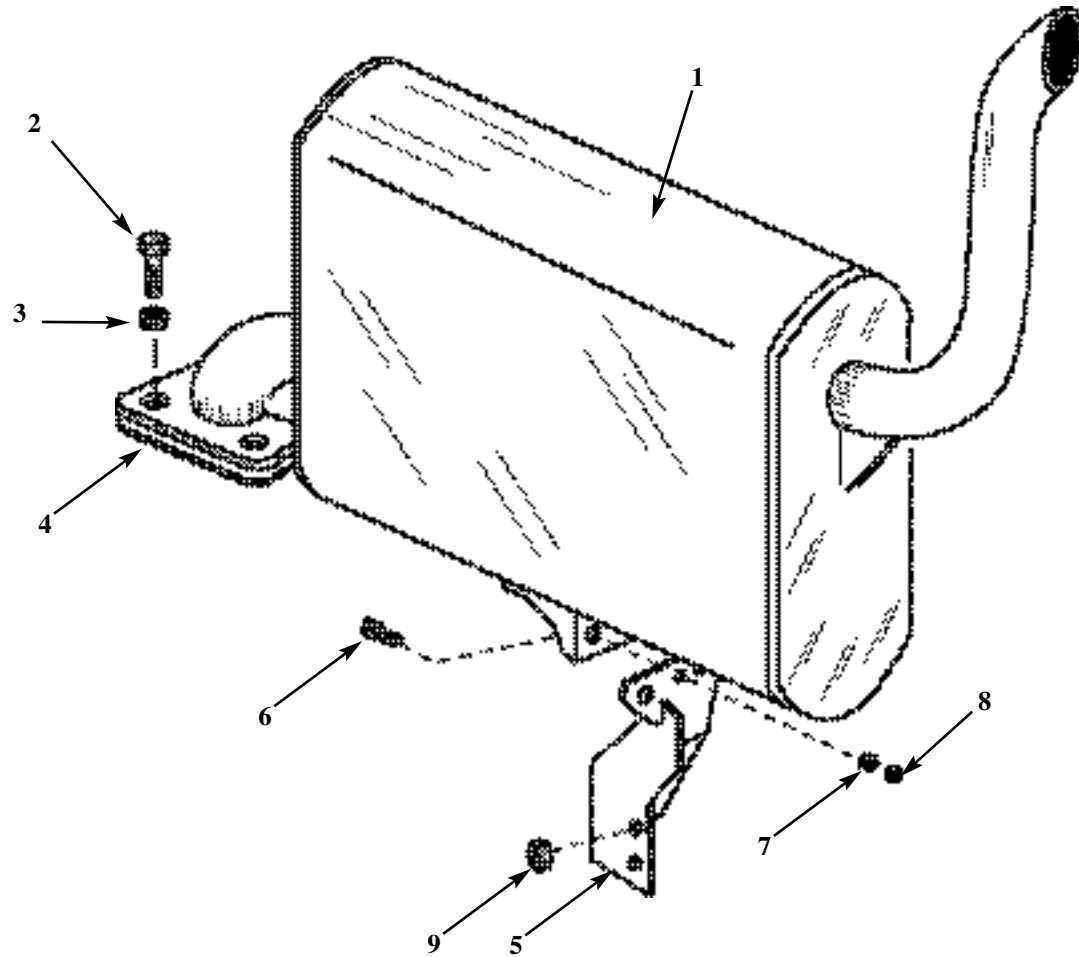
7.1 (B)



ITEM	PART	QTY	DESCRIPTION
1.	046914SP	1	Air Cleaner Assy.
2.	047741SP	1	Element, Filter Safety
3.	047742SP	1	Element, Filter Primary
4.	053676SP	1	Hose, Molded Air Intake
5.	006268SP	3	Clamp, Hose #32
6.	966457SP	1	Mount (LQ001700 Onward)
7.	021554SP	4	Bolt
8.	044319SP	4	Washer
9.	038855SP	1	Indicator, Service Electrical
10.	012117SP	1	Clamp, Hose #40
11.	053675SP	1	Hose, Moulded Intake
12.	053716SP	1	Tube, Turbo Intake

AIR CLEANER (LQ001700 Onward)

7.1 (B)

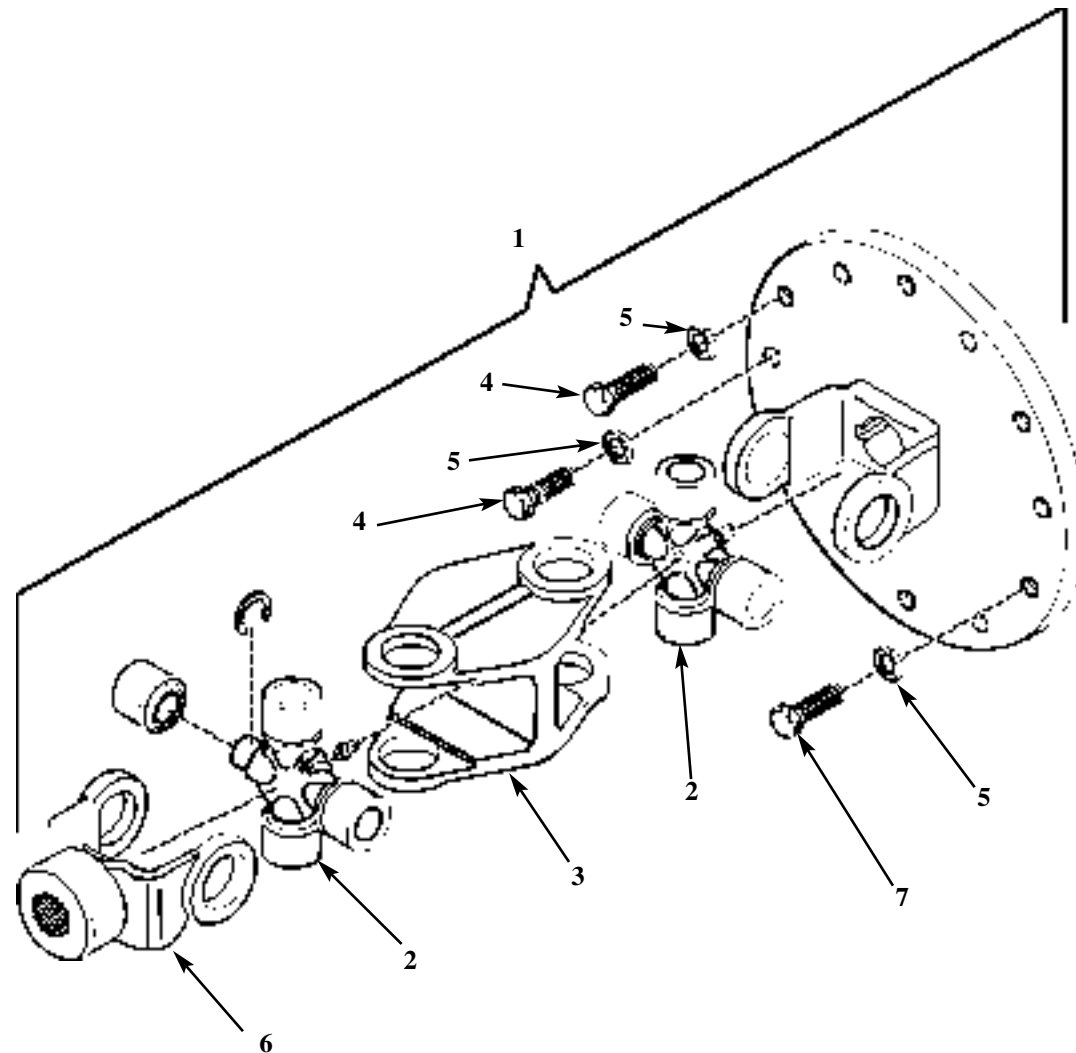


ITEM	PART	QTY	DESCRIPTION
1.	046871SP	1	Muffler, V-2003T
2.	021554SP	4	Bolt
3.	021029SP	4	Washer
4.	042691SP	1	Gasket
5.	963788SP	1	Muffler Support Assy.
6.	001387SP	2	Bolt
7.	001642SP	2	Washer, Lock
8.	001194SP	2	Nut
9.	023250SP	2	Nut

ENGINE AND ACCESSORIES (Up To LQ001699)**7.3 (A)**

PART	QTY	DESCRIPTION
033023SP	1	Filter, Engine Oil
042561SP	1	Filter, Fuel
047983SP	1	Guard, Alternator
964647SP	1	Fan Guard Ass'y
033011SP	1	Dipstick, Engine Oil
035536SP	4	Glow Plug
033112SP	1	Pump, Fuel Ass'y
042604SP	1	Alternator
039462SP	1	Regulator Ass'y
033073SP	1	Starter, Engine (V2003E2B)
018724SP	1	Switch, Oil Sender
033149SP	1	Thermostat, Kubota
047733SP	1	Gasket, Thermostat
047736SP	1	Pump, Water (V2003T)
039726SP	1	Gasket, Water Pump
022204SP	1	Hose, Top Radiator
022205SP	1	Hose, Bottom Radiator
047737SP	1	Fan, Pusher 390mm
047738SP	1	Gasket, Inlet Manifold
047739SP	1	Gasket, Exhaust Manifold
047740SP	1	Gasket, Exhaust Manifold
019498SP	1	Cock, Jet-Start
049313SP	1	Ass'y, Turbo Charger
049314SP	1	Gasket, Turbo Intake (V2003T Kubota)
049315SP	1	Gasket, Turbo Exhaust (V2003T Kubota)
035258SP	1	Gasket, Exhaust

PART	QTY	DESCRIPTION
039649SP	1	Guide, Oil Gauge
039648SP	1	Gauge, Oil
053716SP	1	Tube, Turbo Inlet
053702SP	1	Pump, Fuel
053705SP	1	Starter
042604SP	1	Alternator
052755SP	1	Ass'y, Solenoid
046364SP	1	Switch, Temperature
053719SP	1	Water Pump
022048SP	1	Cover, Thermostat
053706SP	1	Thermostat
052817SP	1	V Pulley
049722SP	1	Fan, Pusher
053717SP	1	Collar, Fan Spacer 40mm
053718SP	1	Bolt, Flange, 6mm x 55mm
052818SP	1	Belt, V
018724SP	1	Switch, Oil Sender
050232SP	2	Cushion, Rubber
019605SP	1	Switch, Ignition, Kubota
026129SP	1	Hose, Radiator Top
018478SP	4	Band, Pipe
049486SP	1	Hose, Bottom Radiator
042561SP	1	Filter, Fuel
033023SP	1	Filter, Engine Oil



ITEM	PART	QTY	DESCRIPTION
1.	954503SP	1	U-Joint Complete
2.	015052SP	2	Journal And Bearing Kit
3.	015140SP	1	Double Pivot Yoke
4.	019029SP	4	Bolt, 8 x 25
5.	021029SP	6	Washer, Spring
6.	015141SP	1	End Yoke, Splined
7.	021559SP	2	Bolt, 8 x 30

8. OPTIONAL EQUIPMENT

The following kits are OPTIONAL and can be added as extra equipment.

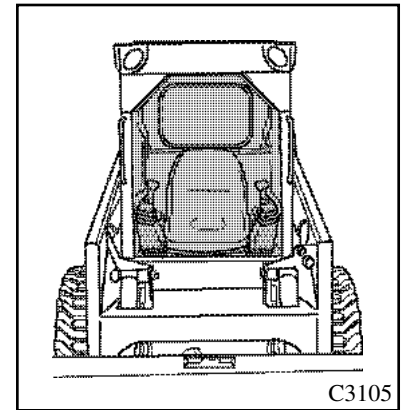
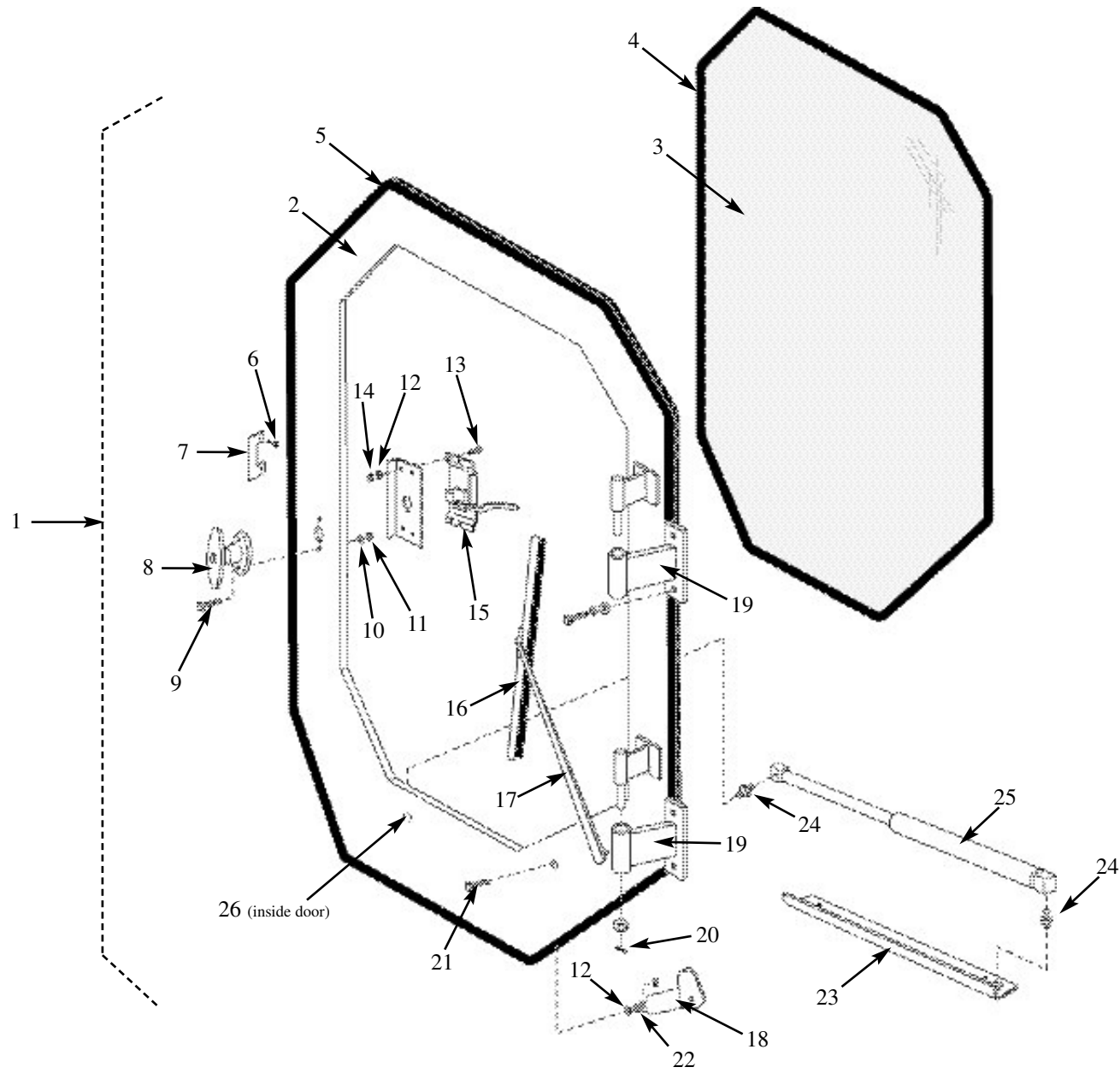
Some of the options listed below are standard on some machines.

Cab Enclosure (<i>Standard on CE & GJK loaders</i>).....	8.1
Cab Heater	8.2
Cab Door.....	8.3
Side Windows - Painted.....	8.4
Block Heater	8.5
Horn	8.6
Backup Alarm	8.7
Seat Belt.....	8.8
Auto Engine Shutdown.....	8.9
Axle Seal Protector.....	8.10
Wheel Equipment.....	8.11
Hydraulic Oil Heater.....	8.12
Interior Light & Exterior Trouble.....	8.13
Precleaner.....	8.14
Stop Switch.....	8.15
Purifier	8.16
Lifting Lug (ROPS).....	8.17
Self Level Valve.....	8.18
Light Kit.....	8.19
Driving Lamp Kit	8.20

Part #	Qty.	Description
964848	1	U-3056, Kit, Cab Enclosure
964846	1	U-3054, Kit, Cab Heater
963802	1	U-2674, Kit, Cab Door
963881	1	U-2689, Kit, Side Windows Painted

CAB HEATER**8.2**

Part #	Qty.	Description	Part #	Qty.	Description
964846	1	U-3054, Kit, Cab Heater:	049069SP	4	Plug, Hole
037167SP	1	Heater, Cab	046669SP	1	Terminal, Connector
044118SP	2	Fitting, Hose Heater	049372SP	1	Tee, Water Pipe Lower
031166SP	1	Valve, Heater	015521SP	2	Clamp, Hose #24
031167SP	1	Cable Heater, Valve Control	042442SP	4	Clamp, Cable
037601SP	1	Switch, Heater with Resistors	049371SP	-	Info Drawing, Heater Installation
037606SP	1	Knob, Heater Plastic Control	037981SP	5	Tie, Cable
016019SP	8	Clamp, Hose #10	000415SP	1	Tube
031156SP	2	CPLG, BRS 5/8 Hose To 3/8 NPT M	019586SP	2	Gasket, Thermostat Cover
040722SP	1	Tube, Spacer Heater	032671SP	1	Elbow, 90D.
000073SP	9.5	Hose, 5/8 2 Or 3 Standard Wall	032672SP	1	Spacer, Water Flange
017493SP	1	Clamp, Standard Tube	032682SP	2	Bolt, Hex 8 x 60mm
029972SP	1	Decal, Heater Control	017386SP	2	Grommet, 1" ID x 3/16" GRX
043066SP	3	Terminal, Slide	037607SP	2	Elbow w/O Ring, Hose, Heater Fitting
038303SP	2	Clamp, Tube Twin 5/8"	047493SP	-	Info Drawing, Heater Installation 175/1700
038472SP	1	Plate, Cover Twin	053572SP	1	Tee, 5/8" Hemter Nylon
037633SP	2	O Ring, .063" x .375 ID.			
039122SP	1	Fuse, Automotive 10Amp			
000765SP	7.5	Loom, Corrugated			
003625SP	6.5	Wire, #14 GA, Yellow			
001651SP	2	Washer, Flat 5/16 PL			
007458SP	2	Bolt, Hex. 5/16 x 2 3/4 UNC			
016771SP	2	Nut, Nylok Hex 5/16 UNC			
026715SP	3	Bolt, Hex 6 x 65mm			
040652SP	3	Tube, Spacer Heater			
002279SP	3	Washer, Lock 1/4 PL			
005170SP	3	Bolt, Hex 1/4" x 1" UNC			
001650SP	5	Washer, Flat 1/4" PL			
006645SP	3	Nut, Nylok 1/4" UNC PL			
038541SP	1	Grommet, 5/16" ID x 1/8"			
043033SP	2	Clamp, Twin 1" Tube			
042076SP	1	Plate, Cover Twin			



ITEM	PART	QTY	DESCRIPTION
1.	963802	1	Kit, Cab Door
2.	963786	1	Door Cab Welded Assy.
3.	037243SP	1	Glass, Solid Tempered, Cab Door
4.	015750SP	9 ft.	Weatherstrip, Glass Setting
5.	048601SP	11.75 ft.	Molding, Trim Seal 1/4"
6.	031744SP	2	Screw, Hex Head
7.	032600SP	1	Plate, Latch Block
8.	953780SP	1	Handle, Cab Locking
9.	015885SP	2	Bolt, Stove
10.	002811SP	2	Washer, Lock
11.	006467SP	2	Nut, Hex
12.	001650SP	7	Washer, Flat
13.	005170SP	4	Bolt, Hex
14.	006645SP	4	Nut, Nylok
15.	039891SP	1	Latch, Cab Door RH
16.	037597SP	1	Blade, Wiper 16"
17.	037596SP	1	Arm, Wiper
18.	037275SP	1	Motor, Wiper Single Speed
19.	958336SP	2	Cab Bushing Assy.
20.	001630SP	1	Pin, Cotter
21.	002663SP	1	Bolt, Hex
22.	002279SP	1	Washer, Lock
23.	963775SP	1	Assembly, Cab Door Stop
24.	043005SP	2	Stud, Ball
25.	047050SP	1	Spring, Gas
26.	041792SP	1	Insert, Blind Thread

SIDE WINDOWS - PAINTED**8.4**

Part #	Qty.	Description
963881	1	Kit, Side Windows Painted:
044345SP	26	Screw, Machine 1/4 x 3/4 Pan Head
044237SP	26	Nut, 1/4 Flange
014869SP	1	Screw, Self-Drilling
015931SP	23 ft.	Weatherstrip (50' Roll)
039868SP	8	Washer, Nylon
039869SP	2	Knob, Fluted Black w/1/4" 20 Insert
047275SP	1	Window, Glass Siding LH Side Painted
047276SP	1	Window, Glass Siding RH Side Painted
039907SP	2	Insulator, Nylon 1/4"
040908SP	2	Bolt, Hex
040909SP	2	Nut, Hex

Part #	Qty.	Description
963403	1	Kit, Block Heater:
036789	1	Heater, Engine Block, Kubota

Part #	Qty.	Description
963874	1	Kit, Horn:
040918SP	1	Alarm, Fast Sounding
044182SP	1	Handle, Ergonomic w/Rocker & 2 PB Switches
044513SP	1	Bolt, Erg. Handle
006081SP	2	Bolt, Hex
001651SP	2	Washer, Flat 5/16
001870SP	2	Washer, Lock 5/16
001191SP	2	Nut, Hex 5/16
039880SP	0.5 ft.	Wire, #18 Gauge Lt. Green
039206SP	4 ft.	Wire, #18 Gauge White/Brown
039899SP	2	Terminal, Ring #10 Stud 22-18 Gauge Wire
039901SP	1	Terminal, Ring 5/16" Stud 22-18
039127SP	1	Terminal, Pin .156 Male
039110SP	1	Tower, 2-Way Weatherpack
039109SP	2	Sleeve, Cable
039009SP	2	Seal, Cable
008615SP	1 ft.	Tube, Heat Shrink
003273SP	8	Tie, Cable
000765SP	0.5 ft.	Loom, Corrugated
039122SP	1	Fuse, Automotive 10 Amp (5 per pack)

Part #	Qty.	Description
963405	1	Kit, Backup Alarm:
038752SP	2	Switch, Backup Alarm
042187SP	1	Alarm, Backup
043327SP	1	Harness, Backup Alarm
001191SP	6	Nut, Hex 5/16
001651SP	6	Washer, Flat 5/16
001190SP	2	Bolt, Hex 5/16
001870SP	6	Washer, Lock 5/16
039122SP	1	Fuse, Automotive 10 Amp (5 per pack)
043330SP	2	Sheet, Backup Alarm Spacer
004398SP	2	Bolt, Hex 7/16
006393SP	4	Nut, Hex 7/16
044323SP	2	Nut, Jam 1/4
043328SP	2	Sheet, Backup Alarm Mount
043337SP	2	Sheet, Backup Alarm Mount
001622SP	4	Bolt, Stove 3/16
006468SP	4	Washer, Flat 3/16
002811SP	4	Washer, Lock 3/16
006467SP	4	Nut, Hex 3/16
027013SP	4	Washer, Lock 1/8

SEAT BELT

8.8

Part #	Qty.	Description
963406	1	Kit, Seat Belt 3”:
048276	1	Belt, Safety 3” w/Safety Wiring

Part #	Qty.	Description
963410	1	Kit, Auto Engine Shutdown:
039840SP	1	Relay, 12V40A SPDT Form C C/W Bracket
043714SP	1	Switch, Pressure Electrical Cert. of Compliance
029241SP	1	Siren, Mini
039899SP	1	Terminal, Ring #10 Stud 22-18 Gauge Wire
049488SP	1	Harness, Wire Auto Shutdown Engine
044273SP	1	Harness, Wire Auto Shutdown ROPS
038743SP	1	Fitting

AXLE SEAL PROTECTOR

8.10

Part #	Qty.	Description
963412	1	Kit, Axle Seal Protector (4 Axles)
044335UP	4	Bar, Axle Seal Protector
044355SP	8	Screw, Cap 1/4
002279SP	8	Washer, Lock 1/4

Part #	Qty.	Description
963709	1	Kit, Tire 12.5 x 16.5 HD2000 (Factory):
044020SP	2	Tire & Wheel Assy 12 x 16.5 (LH), HD2000 8 Bolt
044021SP	2	Tire & Wheel Assy 12 x 16.5 (RH), HD2000 8 Bolt
963710	1	Kit, Tire 12.5 x 16.5 HD2000 (Field):
044020SP	2	Tire & Wheel Assy 12 x 16.5 (LH), HD2000 8 Bolt
044021SP	2	Tire & Wheel Assy 12 x 16.5 (RH), HD2000 8 Bolt

HYDRAULIC OIL HEATER

8.12

Part #	Qty.	Description
963439	1	Kit, Hydraulic Oil Heater:
030549	1	Heater, Hyd. Oil

Part #	Qty.	Description
963466	1	Kit, Int. Light & Ext. Trouble:
041317SP	1	Light, Dome/Emergency
039880SP	11 ft.	Wire, #18 Gauge Light Green
041023SP	11 ft.	Wire, #18 Gauge Red
017940SP	2	Grommet
000765SP	11 ft.	Loom, Corrugated
039122SP	1	Fuse, Automtotive 10 Amp (5 per pack)
041705SP	1	Connector, Male 2-Way Metri-Pak
041706SP	2	Terminal, Female Metri-Pak for 41705
039901SP	1	Terminal, Ring 5/16"
041018SP	1	Terminal, Slide
037472SP	3	Screw, Self-Tapping
048242SP	3	Screw, Self Tapping

PRECLEANER

8.14

Part #	Qty.	Description
963711	1	Kit, Precleaner:
046921	1	Precleaner, 2.5" Inlet

Part #	Qty.	Description
963879	1	Kit, Stop Switch:
042951SP	1	Switch, Contact Body Assy.
044305SP	1	Button, Turn to Release Red
042975SP	1	Sheet, Stop Button Support

PURIFIER**8.16**

Part #	Qty.	Description
963713	1	Kit, Purifier:
047088	1	Muffler, V2003-T w/Purifier

Part #	Qty.	Description
963633	1	Kit, Lug Lifting ROPS:
046770SP	2	Plate, Lifting Lug
001660SP	4	Bolt, Hex 9/16
001077SP	4	Nut, Hex 9/16
002650SP	4	Washer, Flat 9/16
001648SP	4	Washer, Lock 9/16

SELF LEVEL VALVE

8.18

Part #	Qty.	Description
963833	1	Kit, Self Level Valve:
043487SP	1	Valve, Self Level Assy.
019226SP	1	Connector
019232SP	1	Elbow, 90 Degree Straight
036626SP	2	Tee
963842SP	3	Hose Assy. SLV
001870SP	2	Washer, Lock 5/16
001676SP	2	Bolt, Hex 5/16

Part #	Qty.	Description	Part #	Qty.	Description
963888	1	Kit, Lights:	039109SP	4	Sleeve,cable 18-20 AWG Weatherpack
047332 SP	1	Light, Kit LH	039009 SP	4	Seal, Cable 14-18 AWG Weatherpack
047333 SP	1	Light, Kit RH	044182 SP	2	Handle, Eronomic w/Rocker & 2 PB Switches
046668 SP	1	Beacon, Rotating	021259 SP	2	Pin, Terminal (WAYTEK)
000765SP	1 ft.	Loom, Corrugated .250 ID Black	008615 SP	0.167 ft.	Tube, Heat Shrink .187
046669 SP	2	Terminal, Connector .250 Slide	007045 SP	1	Wire, End Plug
046670 SP	1	Light, License w/Harness	015885 SP	2	Bolt, Stove 3/16
046689 SP	2	Reflector, Red Reflex	006468 SP	2	Washer, Flat 3/16 PL
046690 SP	2	Reflector, Clear Reflex	002811 SP	2	Washer, Lock 3/16 PL
039123 SP	3	Switch, Toggle	006467 SP	2	Nut, Hex 3/16 UNC PL
038752 SP	1	Switch, Backup Alarm	053005 SP	1	Mirror, External CE
043328 SP	1	Sheet, Backup Alarm Mount	027013 SP	2	Washer, Lock 1/8 PL
001191 SP	2	Nut, Hex 5/16 UNC PL	044513 SP	1	Bolt, Erg. Handle
001870 SP	4	Washer, Lock 5/16 PL	001678 SP	2	Bolt, 5/16 x 1 1/2
001651 SP	4	Washer, Flat 5/16 PL	965928 SP	1	Bracket
039122 SP	1	Fuse, Automotive 10 Amp (5 per pack)			
043330 SP	1	Sheet, Backup Alarm Spacer			
017204 SP	1	Decal, Slow Moving Vehicle One Piece Type			
043330 SP	2	Sheet, Backup Alarm Spacer			
015885 SP	2	Bolt, Stove 3/16 x 3/4 UNC GR2 PL			
963662 SP	1	Bar, Switch Activating Assy			
006393 SP	2	Nut, Hex 7/16 UNC PL			
046835 SP	1	Sheet, SMV			
021907 SP	4	Screw, Self Tapping 5/16-1/8 x 5/8 Type 1, Hex			
051399 SP	2	Sheet, Light Mount			
019029 SP	4	Bolt, Hex M8 x 1.25 x 25mm PL			
021029 SP	4	Washer, Lock 8mm PL			
001643 SP	4	Washer, Flat 3/8 PL			
051986 SP	2	Sheet, Cover w/Thomas			
031744 SP	4	Screw, Hex Head, Tapping 1/4-20 x 5/8 L			
043759 SP	1	Tower, 4-way Weatherpack 4X1			

DRIVING LAMP KIT

8.20

Part #	Qty.	Description
963915	1	Kit, Driving Lamp:
052196SP	2	Lamp, Driving CE Approved

NUMERICAL INDEX

NUMERICAL INDEX

PART NUMBER / SECTION	PART NUMBER / SECTION	PART NUMBER / SECTION	PART NUMBER / SECTION
000073SP8.2	001680SP1.3	008615SP8.6, 8.19	020235SP1.5
000261SP1.1	001870SP1.6, 1.7, 2.2, 2.4, 4.4(A),4.4(B), 4.8, 8.6, 8.7, 8.18, 8.19	012117SP7.1(B)	020860SP1.2, 1.3, 1.5
000407SP1.1	002008SP2.1(A), 2.1(B)	014797SP1.1	020861SP1.3, 1.5, 2.1(A), 2.1(B)
000415SP8.2	002010SP1.3, 1.4, 1.6, 2.1(A), 2.1(B)	014866SP4.2, 5.1	021029SP2.1(A), 2.1(B),7.2, 7.4, 8.19
000698SP4.12.2, 4.5, 4.7	014867SP5.1	021121SP5.1
000765SP8.2, 8.6, 8.13, 8.19	002011SP1.3	014868SP4.8	021128SP5.1
000820SP1.7	002279SP8.2, 8.3, 8.10	014869SP8.4	021174SP2.1(A), 2.1(B)
000821SP1.7	002580SP2.2	014877SP3.2	021259SP8.19
000822SP4.4(A), 4.4(B)	002593SP1.6, 2.2	015052SP7.4	021554SP7.1(A), 7.1(B), 7.2
000876SP4.4(B), 4.4(C)	002650SP8.17	015140SP7.4	021557SP4.4(A), 4.4(B)
001077SP8.17	002663SP1.5, 1.7, 8.3	015141SP7.4	021558SP4.4(A), 4.4(B)
001190SP1.7, 4.4(A), 4.4(B), 8.7	002811SP2.4, 8.3, 8.7, 8.19	015521SP4.4(A), 4.4(B), 8.2	021559SP2.1(A), 2.1(B), 7.4
001191SP4.4(A), 4.4(B), 4.8, 8.6,8.7, 8.19	002823SP1.2	015885SP8.3, 8.19	021701SP4.1
001193SP1.7, 1.9, 4.1, 4.2, 4.4(B),4.4(C)	002835SP1.2	015931SP1.5, 8.4	021907SP8.19
001194SP1.1, 7.2	002898SP1.5	016019SP8.2	022048SP7.3(C)
001350SP1.6, 2.3(B)	003189SP1.2	016608SP1.5	022204SP7.3
001386SP3.2	003273SP8.6	016771SP1.2, 1.3, 1.4, 2.1(A), 2.1(B),2.2, 4.2, 4.3, 4.4(A),4.4(B), 4.6, 4.8, 8.2	022205SP7.3
001387SP1.1, 1.7, 7.2	003321SP1.3	016989SP1.2	022280SP4.8
001458SP1.3	003625SP8.2	017144SP1.1	022448SP3.2
001622SP8.7	004398SP8.7	017204SP8.19	022653SP1.3
001626SP2.2	005170SP8.2, 8.3	017386SP8.2	023194SP1.1,2.4
001630SP2.1(A), 2.1(B), 2.2,8.3	005405SP2.2	017493SP8.2	023250SP7.2
001642SP1.1, 1.7, 4.1, 4.2, 7.2	005832SP3.2, 8.11	017633SP1.5	023307SPDecals
001643SP1.1, 1.2, 1.7, 1.9,4.2, 8.19	006081SP8.6	017940SP8.13	023308SPDecals
001647SP1.5, 5.3	006086SP1.6, 1.7	018318SP1.1	023310SPDecals
001648SP8.17	006268SP7.1(B)	018455SP1.5	023312SPDecals
001650SP1.5, 1.7, 8.2, 8.3	006393SP8.7, 8.19	018478SP7.3(C)	023321SPDecals
001651SP1.2, 1.6, 1.7, 4.2, 4.4(A),4.4(B), 4.8, 8.2,8.6, 8.7, 8.19	006394SP2.1(A), 2.1(B)	018724SP6.2, 7.3(A), 7.3(B)	023325SPDecals
001660SP8.17	006467SP8.3, 8.7, 8.19	018748SP4.4(A), 4.4(B)	023326SPDecals
001671SP1.4	006468SP8.7, 8.19	019029SP7.4, 8.19	023334SPDecals
001672SP2.1(A), 2.1(B)	006645SP1.5, 8.2, 8.3	019226SP4.6, 4.8, 8.18	023385SP1.3, 2.1(A), 2.1(B)
001675SP4.6	006816SP4.4(A), 4.4(B)	019232SP4.3, 8.18	023452SP1.5
001676SP8.18	006869SP5.3	019235SP4.1	023772SP2.1(A), 2.1(B), 2.3(B)
001677SP2.1(A), 2.1(B)	007045SP8.19	019238SP5.1	023861SP1.1
001678SP1.2, 8.19	007458SP1.3, 1.4, 8.2	019498SP7.3B	024624SP1.1
	007465SP1.2, 1.4, 1.9, 2.1(A), 2.1(B),4.6	019573SP4.4(A), 4.4(B)	025011SP5.1
	008104SP4.2, 4.4(A), 4.4(B), 5.1	019586SP8.2	025091SP5.3
	008613SP1.3, 1.4, 2.4	019605SP7.3(C)	025460SPDecals
		019949SP1.1	025589SP2.1(A), 2.1(B)

PART NUMBER / SECTION	PART NUMBER / SECTION	PART NUMBER / SECTION	PART NUMBER / SECTION
-----------------------	-----------------------	-----------------------	-----------------------

025618SP3.2
025762SP1.7
026008SP5.1
026042SP3.2
026129SP4.4(A), 4.4(B), 7.3(C)
026172SP2.4
026174SP2.2
026188SP3.2
026202SP4.1
026289SP4.8(B)
026509SP3.2
026510SP3.2
026641SP4.8
026715SP8.2
026737SP1.1
026859SP4.4(B)
027013SP8.7, 8.19
029029SP3.2
029241SP8.9
029361SP3.2
029384SP2.1(C)
029437SP4.8
029875SP4.5, 4.7
029971SP6.2
029972SP8.2(A)
030044SP2.1(A), 2.1(B), 2.2
030549SP8.12
031156SP8.2
031166SP8.2
031167SP8.2
031488SP1.2
031489SP1.2
031744SP1.5, 1.7, 8.3, 8.19
032070SP1.7
032275SPDecals
032478SP4.1
032600SP8.3
032671SP8.2
032672SP8.2
032682SP8.2
032907SP3.2

033011SP7.3(A)
033023SP4.4(A), 4.4(B), 7.3(a), 7.3(B)
033112SP4.4(A), 4.4(B), 7.3(A), 7.3(B)
033149SP4.4(A), 4.4(B), 7.3(A), 7.3(B)
033831SP4.3, 4.6, 4.8
033882SP5.1
034903SP4.1
034919SP4.1, 4.4(A), 4.4(B)
035243SP4.2
035258SP7.3(B)
035426SP1.2
035451SP4.5
035536SP6.2, 7.3(A)
035883SP2.1(A), 2.1(B)
035884SP2.1(A), 2.1(B)
.....2.2
035885SPDecals
035886SPDecals
036336SP4.3, 4.6
036337SP4.8
036626SP8.18
036713SP5.1
036733SP4.1
036789SP8.5
036849SP4.1
036853SP4.8
036855SP5.1
037010SPDecals
037059SPDecals
037060SPDecals
037104SP6.2
037167SP8.2
037206SP4.1, 6.2
037243SP8.3
037275SP8.3
037472SP8.13
037596SP8.3
037597SP8.3
037601SP8.2
037606SP8.2
037607SP8.2

037633SP8.2
037792SP4.5
037808SP1.5
037981SP8.2
038043SPDecals
038044SPDecals
038303SP4.6, 4.8, 8.2
038389SP5.1
038472SP4.6, 4.8, 8.2
038516SP1.9, 6.2
038541SP8.2
038560SP1.5
038561SP1.5
038577SP6.1
038589SP4.5, 4.7
038600SP1.9
038652SP4.1
038743SP8.9
038752SP8.7, 8.19
038761SP6.1
038794SP6.1
038797SP1.6
038855SP6.2, 7.1
038870SP6.2
038871SP6.2
039009SP8.6, 8.19
039109SP8.6, 8.19
039110SP8.6
039121SP6.2
039122SP6.2, 8.2, 8.6, 8.7,
.....8.13, 8.19
039123SP6.1, 8.19
039124SP6.1
039126SP1.5
039127SP8.6
039191SPDecals
039192SPDecals
039196SPDecals
039206SP8.6
039462SP7.3

039537SP1.5
039540SP6.2
039546SP1.6
039648SP7.3(B)
039649SP7.3(B)
039726SP7.3(A)
039840SP6.2, 8.9
039868SP8.4
039869SP8.4
039880SP8.6, 8.13
039891SP8.3
039899SP8.6, 8.9
039901SP8.6, 8.13
039904SP1.9
039907SP8.4
039910SP6.2
039921SP6.2
039972SP6.1
040320SP2.4
040337SP1.6
040581SP1.9, 2.3(B)
040614SP1.3
040652SP8.2
040722SP8.2
040908SP8.4
040909SP8.4
040918SP6.1, 8.6
040921SP1.1
040922SP1.1
041018SP8.13
041023SP8.13
041024SP4.4(A), 4.4(B)
041045SPDecals
041064SPDecals
041065SPDecals
041066SPDecals
041075SP8.13
041076SP8.13
041123SPDecals
041274SP6.2

NUMERICAL INDEX

PART NUMBER / SECTION	PART NUMBER / SECTION	PART NUMBER / SECTION	PART NUMBER / SECTION
041290SP1.3	042737SP4.4(A), 4.4(B)	044021SP8.11	046159SP2.2
041291SP1.3	042931SP1.9	044061SP1.6	046165SP4.8
041317SP8.13	042950SP2.4, 6.2	044118SP8.2	046166SP4.8
041318SP1.3	042951SP6.2, 8.15	044136SP5.2	046227SP1.2
041391SP1.3	042975SP8.15	044181SP2.1(A), 2.1(B), 6.2	046301SPDecals
041392SP1.3	043004SP2.4	044182SP2.1(A), 2.1(B), 6.2,	046353SP2.1(A), 2.1(B)
041410SP1.4	043005SP2.4, 8.38.6, 8.19	046364SP7.3(B)
041420SP4.7	043033SP4.3, 8.2	044184SP4.4(A), 4.4(B)	046366SP2.1(A), 2.1(B)
041619SP1.7, 1.9	043066SP8.2	044237SP8.4	046456SP4.1
041704SP1.7	043081SP6.2	044273SP8.9	046457SP3.1
041738SPDecals	043146SP5.1	044286SP1.7	046668SP8.19
041791SP1.7, 6.2	043170SP5.2	044299SP4.9(A)	046669SP8.2, 8.19
041792SP8.3	043189SP5.1	044305SP6.2, 8.15	046670SP8.19
041956SP1.2	043269SP6.2	044319SP7.1(A)	046686SP6.1
042047SP2.3	043327SP8.7	044323SP8.7	046689SP8.19
042061SP4.6	043328SP8.7, 8.19	044335SP8.10	046690SP8.19
042070SP1.7, 1.9	043330SP8.7, 8.19	044345SP8.4	046756SP2.1(A), 2.1(B)
042076SP4.3, 4.6, 8.2	043337SP8.7	044347SP2.1(A), 2.1(B)	046770SP8.17
042088SP4.8	043384SP2.1(A), 2.1(B)	044348SP2.1(A), 2.1(B)	046774SP4.1
042089SP4.8	043487SP8.18	044349SP2.1(A), 2.1(B)	046775SP4.1
042107SPDecals	043493SP5.2	044355SP8.10	046799SP5.3
042186SP4.4(C)	043558SP1.9, 3.1, 3.2, 4.4(A), 4.4(B)	044357SP3.1	046800SP3.2
042187SP8.7	043634SP1.3, 1.4	044358SP3.1	046801SP3.2
042207SP2.1(A), 2.1(B)	043635SP1.4	044450SP2.1(A), 2.1(B)	046831SP6.1
042208SP2.1(A), 2.1(B)	043636SP1.3, 1.4	044473SP4.9(A)	046835SP8.19
042322SP4.3	043714SP8.9	044499SP8.2	046836SP6.1
042350SP1.3	043721SP4.9(A)	044513SP2.1(A), 2.1(B), 8.6, 8.19	046860SP8.11
042433SP6.1	043722SP4.9(A), 4.9(B)	044615SPDecals	046861SP8.11
042435SP6.1	043723SP4.9(A)	044744SP4.4(A), 4.4(B)	046871SP7.2
042442SP6.1, 8.2(B)	043724SP4.9(A)	044745SP4.4(A), 4.4(B)	046876SP2.2
042491SP1.6	043744SP1.1, 6.2	044746SP4.4(A), 4.4(B)	046896SP7.1(A)
042556SP4.2	043759SP8.19	044762SP2.2	046913SP5.1, 5.4, 6.2
042557SP4.2	043776SPDecals	044789SP2.2	046914SP7.1(A), 7.1(B)
042560SP1.1	043791SPDecals	044797SP1.7	046918SP4.4(A), 4.4(B)
042561SP1.1, 4.4(A), 4.4(B),	043812SP4.9(A)	044935SP4.9(A), 4.9(B)	046921SP8.14
.....7.3(A), 7.3(B),	043828SP1.4	044936SP4.9(A)	046987SP4.4(A), 4.4(B)
042572SP1.1	043831SP1.4	044937SP4.9(A)	047050SP8.3
042574SP1.1	043840SP2.3(B)	044961SP6.1(A), 6.1(B)	047071SP5.1
042604SP6.2, 7.3(A), 7.3(B)	043899SP8.2	044979SP2.2	047088SP8.16
042625SP4.3, 4.8	043903SP4.3, 4.6	046106SP2.2	047150SP1.7
042691SP7.2	044020SP8.11	046117SP4.9(A)	047275SP8.4

PART NUMBER / SECTION	PART NUMBER / SECTION	PART NUMBER / SECTION	PART NUMBER / SECTION
047276SP8.4	049196SP.....Decals	052818SP.....4.4(B), 7.3(B)	961928SP.....2.1(A)
047332SP8.19	049205SP2.3(B)	052889SP4.9(B)	962371SP.....4.4(A)
047333SP8.19	049270SP3.1,3.2	052932SP.....Decals	962517SP.....4.3
047336SP6.2	049273SP.....Decals	053005SP8.19	962518SP4.3
047371SP2.2	049313SP7.3(A)	053053SP6.2	962646SP4.3
047426SP2.1(A), 2.1(B), 2.1	049314SP7.3(A)	053143SP1.5	962649SP4.6
047435SP4.9(A)	049315SP7.3(A)	053499SP1.8	962874SP2.1(A), 2.1(B)
047468SP6.1	049372SP8.2	053506SP1.8	963106SP1.7
047493SP8.2(B)	049476SP5.1,5.3	053508SP1.8	963231SP4.8
047566SP4.5	049486SP4.4(A), 4.4(B), 7.3(B)	053572SP8.2	963266SP1.7
047732SP6.2, 7.3(A)	049488SP8.9	053580SP.....Decals	963348SP2.1(A), 2.1(B)
047733SP4.4(A), 4.4(B), 4.4(C)	049620SP4.4(A)	053595SP4.4(A), 4.4(B)	963349SP2.1(A), 2.1(B)
.....7.3(A)	049722SP4.4(A), 4.4(B), 7.3(B)	053606SP4.8	9633938.1, 8.2(A)
047736SP7.3(A)	049728SP5.1, 5.2	053664SP.....Decals	9634038.5
047737SP4.4(A), 7.3(A)	049734SP.....Decals	053675SP7.1(B)	9634058.7
047738SP7.3(A)	049739SP1.5	053676SP7.1(B)	963406.....1.9, 6.2, 8.8
047739SP7.3(A)	049988SP5.1, 5.2	053702SP7.3(B)	9634108.9
047740SP7.3(A)	050232SP7.3(B)	053706SP7.3(B)	9634128.10
047741SP7.1(A), 7.1(B)	051118SP2.3(B)	053712SP5.1	9634398.12
047742SP7.1(A), 7.1(B)	051119SP3.1, 3.2	053716SP7.1(A), 7.3(B)	9634668.13
047760SP2.2	051155SP2.1(B)	053717SP7.3(B)	9636338.17
047858SPDecals	051203SP1.7	053718SP7.3(B)	963646SP1.4
047945SP5.2	051399SP8.19	053719SP7.3(B)	963662SP8.19
047952SP1.2	051986SP8.19	057840SP1.7	963675.....4.4(C)
047983SP4.4(A), 4.4(B), 7.3(A)	052076SP4.9(B)	953780SP8.3	963681SP6.1
047984SP7.3(A)	052145SP4.8	954503SP7.4	963682SP6.1
048242SP8.13	052146SP4.8	957785SP3.2	9637098.11
048276SP8.8	052147SP4.8	958336SP8.3	9637108.11
048601SP8.3	052196SP8.20	958674SP3.2	9637118.14
049022SP.....Decals	052389SP.....Decals	959073SP.....2.1(A)	9637138.16
049069SP8.2	052414SP4.1	959630SP4.3	963748SP1.7
049078SP4.9(B)	052415SP3.1	959631SP4.3	963758SP7.1(A)
049079SP4.9(B)	052429SP6.1	960475SP3.2	963763SP4.4(A)
049080SP4.9(B)	052448SP6.2	961313SP5.1	963764SP4.4(A)
049081SP4.9(B)	052719SP4.4(B)	9613721.9, 6.2	963765SP4.4(A), 4.4(B)
049083SP4.9(B)	052723SP4.2, 4.4(A), 4.4(B)	961393SP4.8	963775SP8.3
049190SPDecals	052725SPDecals	9615281.7	9637868.3
049191SPDecals	052726SPDecals	961614SP1.2	963788SP7.2
049192SPDecals	052754SPDecals	961693SP6.2	9638028.1, 8.3
049193SPDecals	052755SP6.2, 7.3(B)	961697SP1.3	9638338.18
049194SPDecals	052771SPDecals	961833SP1.3	963842SP8.18
049195SPDecals	052817SP7.3(B)	961834SP1.3	

NUMERICAL INDEX

PART NUMBER / SECTION	PART NUMBER / SECTION	PART NUMBER / SECTION	PART NUMBER / SECTION
963843SP4.8			
963844SP4.8			
963847SP4.1,5.2			
963850SP5.1			
963851SP4.1, 4.2			
963852SP4.1, 5.1			
963853SP4.1, 5.1			
963854SP4.1, 5.1			
963855SP5.1			
963856SP5.1			
963857SP5.1			
963858SP5.1			
963859SP5.1			
963860SP5.1			
9638748.6			
9638798.15			
9638818.1, 8.4			
9638888.19			
963900SP2.2			
963905SP2.2			
9639158.20			
964350SP2.1(A), 2.1(B)			
964357SP2.1(A), 2.1(B)			
964597SP1.5			
964600SP2.4			
964647SP4.4(A), 7.3(B)			
9648468.1			
9648488.1			
965273SP4.9(A)			
965593SP2.2			
965594SP2.2			
965909SP4.4(B), 4.4(C)			
965928SP8.19			
965929SP4.4(B)			
965930SP4.4(B)			
965933SP1.2			
965936SP4.4(B), 4.4(C)			
965939SP5.1			
965940SP7.1(A)			
965984SP5.1			
966244SP4.2, 4.4(B), 4.4(C)			
	966245SP4.2, 4.4(B), 4.4(C)		
	966393SP4.8		
	966457SP7.1(B)		
	966465SP1.7		
	966477SP1.3		
	966500SP4.8		
	966505SP1.2		
	966506SP1.2		
	966524SP1.5		
	966573SP4.4(C)		
	966574SP4.4(C)		